

MASTERING FAÇADES

ALUMINIUM FAÇADE CLADDING



TABLE OF CONTENTS










Overview	5
Why façade cladding?	7
Support from A to Z	9
Why Renson?	11
Products overview	13
Horizontal design—Linus	14
Vertical design—Linarte	27
General	97
Ambassadorship	105



// *Our passion lies in creating innovative products and complete solutions that turn every home into a healthy and comfortable place to live. Our commitment to 'creating healthy spaces' is the foundation of everything we do.*

Paul Renson //

RANGE OVERVIEW

Horizontal Lininus	L.033 		L.033 	
	BLOCK 16  BLOCK 16  BLOCK 16L 	BLOCK 25  		EVEN  
Vertical Linarte				

WHY FAÇADE CLADDING?

ALUMINIUM FAÇADE CLADDING IS THE ULTIMATE COMBINATION OF DESIGN, QUALITY AND DURABILITY.

1

Sleek design

Are you looking to add a special touch to your home, shop or corporate building? With Linius and Linarte façade cladding, you are guaranteed to draw admiring glances. Horizontal or vertical, in practically any colour, for both inside and outside, and even as a seamless finish for curved façades or around corners.

2

Endlessly customisable

Be creative with the possibilities to personalise your façade: different inserts in wood, LED lighting, a combination of colours, or integration of your house number.

3

Total concept

A system is only complete when it can solve practical problems such as stylishly hiding doors and garage gates. Finish the reveals of windows and decorate technical accessories such as power sockets, intercoms or taps. Enjoy a complete profile range, including corner solutions and transition profiles.

4

Durable quality

Sturdy, recyclable and resistant to the most extreme weather conditions. The choice of aluminium makes Linarte or Linius a durable choice for a surprising façade finish.

SUPPORT FROM A TO Z

We are here for you (and your team)! In need of training? Technical assistance or an intervention at the construction site?



One phone call to the HOTLINE was enough to get my team back on track at the construction site. We promptly got the technical information we were looking for. Perfect service that saved a lot of time!



Hotline

Not sure which solution is the best answer? Struggling with a specific technical issue at the construction site? Contact one of our distribution partners or call a Renson helpdesk representative via the **HOTLINE** on +32 (0)56 30 30 30. If necessary, we will even send a Renson technician to your site. This will save you lots of time and give you a lot less to worry about!

Renson Academy

Perfectly functioning ventilation system starts with correct installation. Good product knowledge and technical skills will save you a lot of time. You (and your team) are welcome to join us for:

- An update of your product knowledge
- A refresher of your skills
- Learning new techniques

Renson Services

Have you got a specific project? Renson Services will work with you to find a suitable solution for your unique project, in accordance with the applicable Eurocodes. A team of technically trained employees is at the ready to answer all your questions. You can also contact us for after-sales service or questions related to installation.

Renson Academy On Tour

Limited in time? Distance too great? Our Academy is happy to come to you. In need of a tailored training course? Not a problem! Putting theory straight into practice will help you move forward! We would love to hear how we can support you. Register at: renson.net > I'm a professional > Installer training



RENSON.NET

Customers will find lots of information about our products on our website. You will also find all the technical information there, such as manuals, technical data sheets, ecolabel, brochures for your customers, specification sheets, and more. Trouble finding what you are looking for right away? Contact our HOTLINE.

WHY RENSON®?

At Renson, we believe high-quality products and innovative solutions contribute to an energy-efficient, comfortable and healthy life. There is a reason why our baseline is “Creating healthy spaces”. And in doing so, we depart from several basic principles.



MINIMALIST DESIGN

We aim high when it comes to design. Renson solutions discreetly fit into any project. The detailed finishing and seamless integration contribute to this.



THE POWER OF INNOVATION

Our hunger for innovation is what drives progress. We achieve impressive results together by developing and applying innovative technologies.



ENDLESS CUSTOMISATION OPTIONS

For your home or workspace, rustic or contemporary. Configuring a solution tailored to each customer and building is quick and easy.



SUSTAINABLE ENTREPRENEURSHIP

We cannot build a healthy living environment without tending to a healthy world. From our choice of materials to our production and logistics; we are building a sustainable business.



ULTIMATE EASE OF USE AND MAINTENANCE

Thorough engineering is a function of ease of use and minimum maintenance. From configuration and ordering to quick and trouble-free installation. With our digital platform RIO as its beating heart.



HORIZONTAL DESIGN

Aluminium design façade cladding with horizontal accent

Linus is horizontal aluminium façade cladding with a modern look and many advantages. The mounting of the profiles are invisibly concealed for a sleek result. Linus combines a high level of quality with functionality and durability. Can be used in both new construction and renovation.

Linus **14**

Components

Basic profiles	17
Finishing profiles	18
Mullion profile	18
Clips	19
Fixations	19

Technical details

System depth & maximum span	20
Corners	21
Curved design	23

Accessories **24**

LINIUS®

Linius horizontal façade cladding is constructed from an aluminium supporting structure that is equipped with aluminium clips. The profiles can be easily installed to these.



Curved façades

The individual profiles even make it possible to finish curved façades with Linius (project applications).

Sleek lines

Accentuate the horizontal surfaces of your façade. Blend gates and doors unobtrusively into the façade.

Fast installation

The clip system ensures smooth installation.

Finger clamp protection for sectional doors

This helps to prevent fingers becoming trapped between the different gate sections.

Inside & outside use

The high-quality finish makes the profiles suitable for interior applications as well

Concealed fixation

The clips ensure the design remains sleek while still allowing for thermal expansion.



LINIUS®

Structure of the system



① Load-bearing wall

③ CLS/SLS

⑤ Clips

② Insulation

④ Aluminium mullions

⑥ Linius profiles

COMPONENTS

Basic profiles

There are 3 types of basic profiles with the same front view but with a different back:

Basic profile L.033.01

Open profile (L.033.01)
Ventilation or view (through) possible

Basic profile L.033CL

Closed profile (L.033CL)
Applicable for completely closed façade cladding or if no view is desired.

Basic profile L.033IM1

Perforated profile (L.033IM1)
Fitted to the top and bottom for ventilation in a wall with closed profiles

Finishing profiles

The finishing profiles, above and below, provide a high-quality finish and make it possible to finish any height with the smallest possible opening above and below the wall.

Upper finishing profiles



Lower finishing profiles



Mullion profile

Can be directly mounted to a flat, aligned surface: roof structure, an existing or steel supporting structure.

Mullion profile LD.0195R



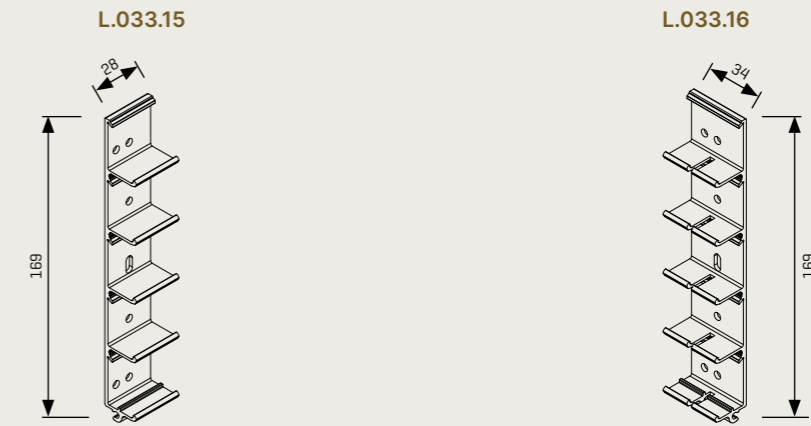
Standard version of the mullions:

- In stock lengths of 3 m or 6 m
- Pre-mounted with clips L.033.15 or L.033.16

Clips

- Single clips: type L.033.15 (height 169 mm – width: 28 mm)
- Double clips for thermal expansion: L.033.16 (height 169 mm – width: 34 mm)
(Connector for 2 profiles)

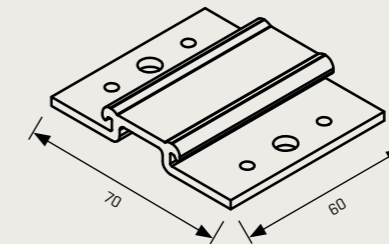
Clips



Fixation elements

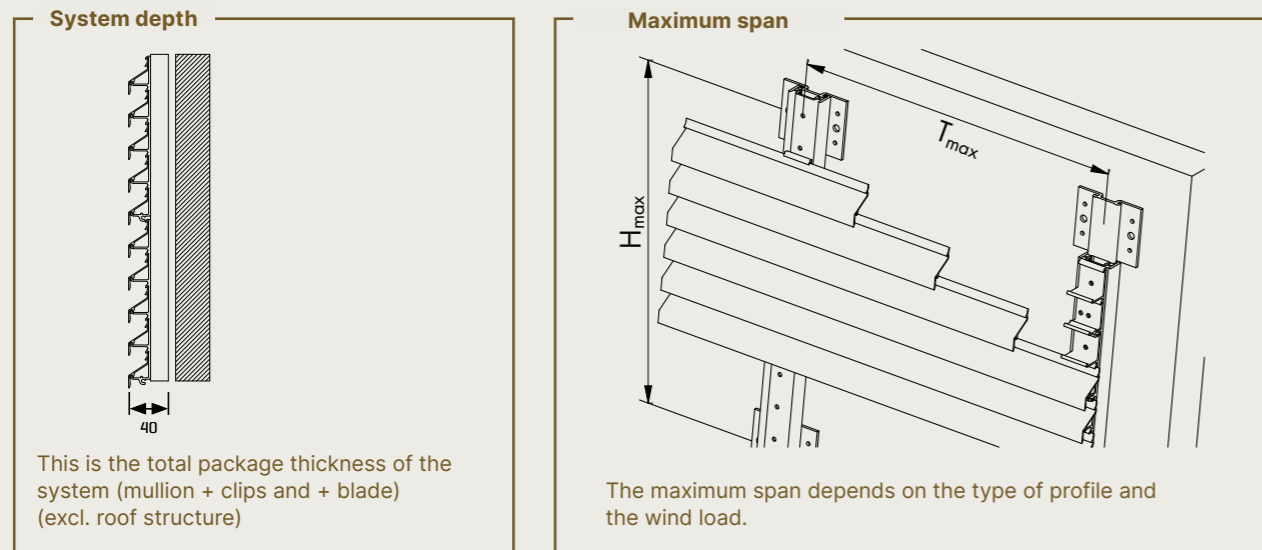
The Linius mullion can be mounted directly to the existing structure or by means of fixation bracket type LZ.4220.

Fixation elements



TECHNICAL DETAILS

System depth & maximum span



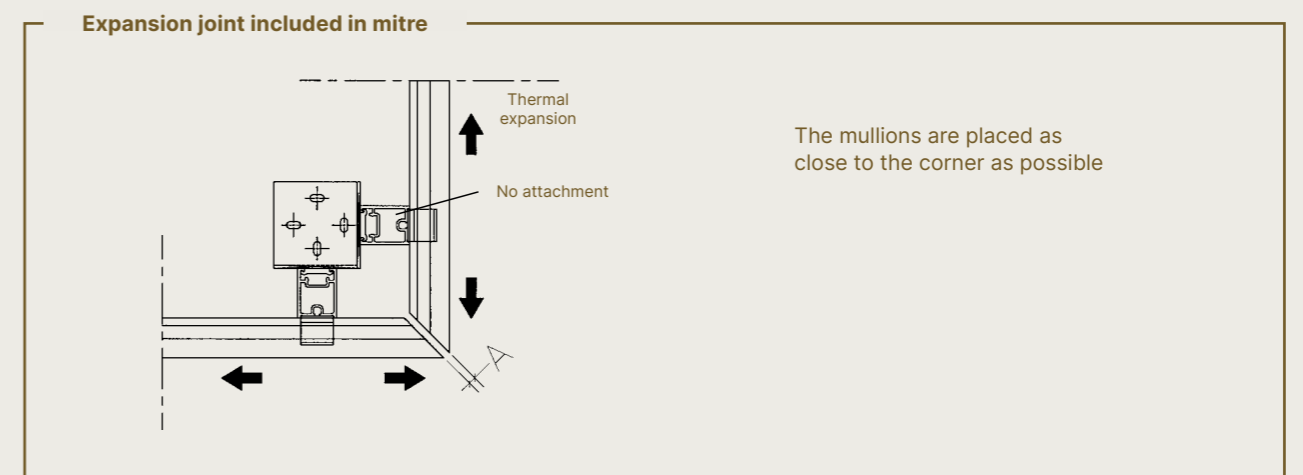
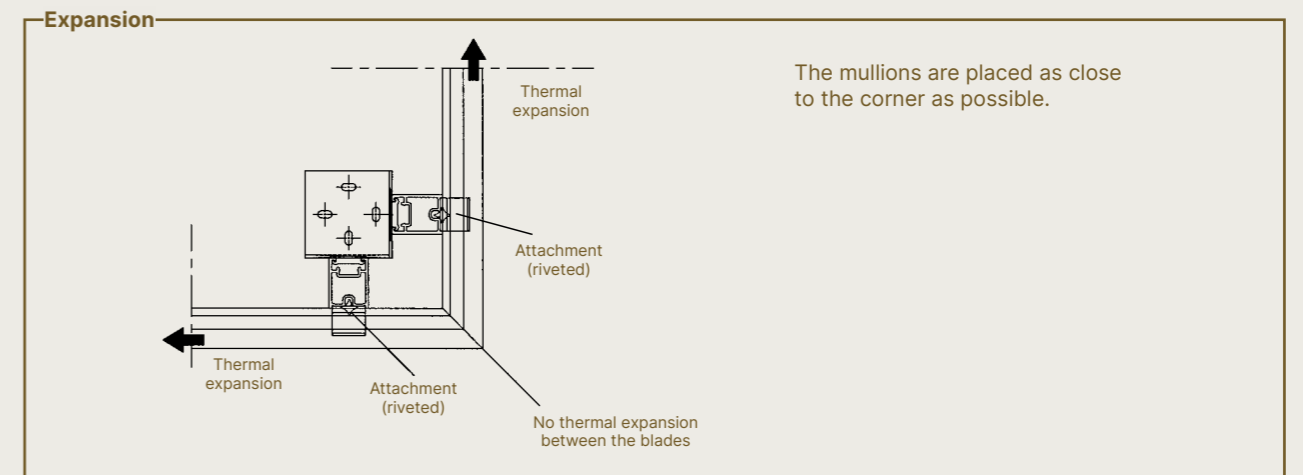
Corners

The corner profiles are supplied mitred in the corners as standard. They must be neatly aligned.



Thermal expansion

Aluminium expands 1 mm per metre. To allow for this, sufficient space must be provided between two profiles so they do not come under tension.

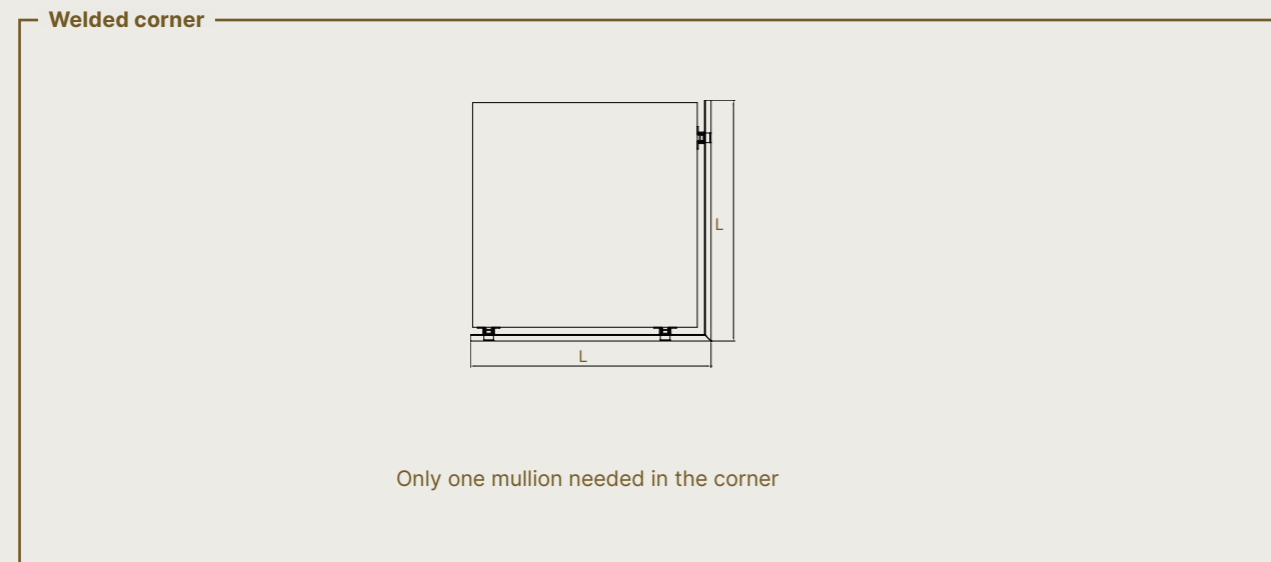


Technical details			
Material	Aluminium extrusion profile EN AW-6063 T66		
Powder coating	Polyester powder coating (60-80 micron) in Renson standard textured coating colours		
Dimensions	L.033.01	L.033IM1	L.033.CL
Pitch		33.3 mm	
Depth		20 mm	
Height		38 mm	
Max. profile length		6000 mm	
Bmax = Max. span between two vertical mullions*		800 mm	
Hmax = Max. span for mounting the mullions to the underlying structure*	710 mm	600 mm	
Weight/m ²	6.5 kg	7.4 kg	7.7 kg

* For wind pressure qp(z) 800 Pa

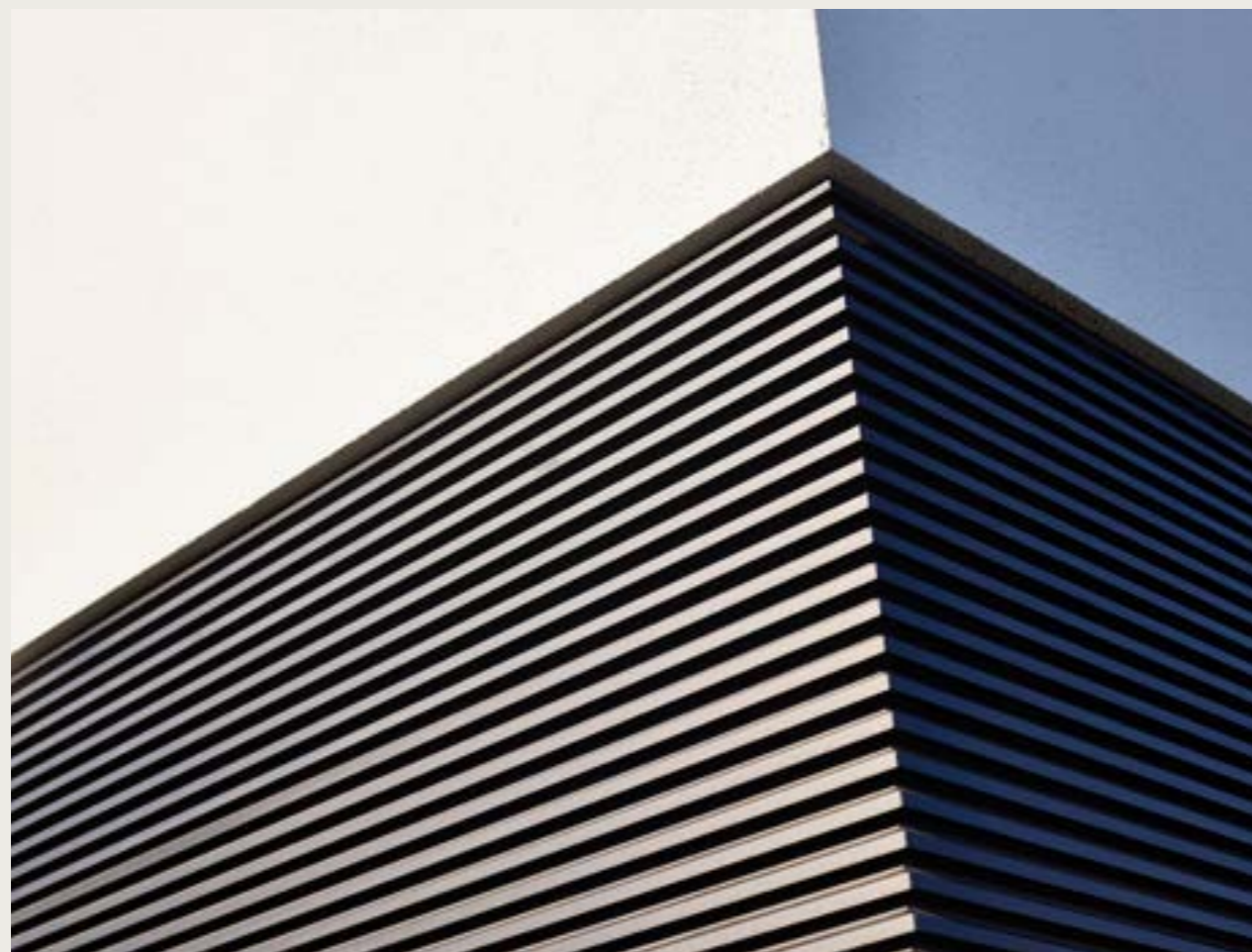
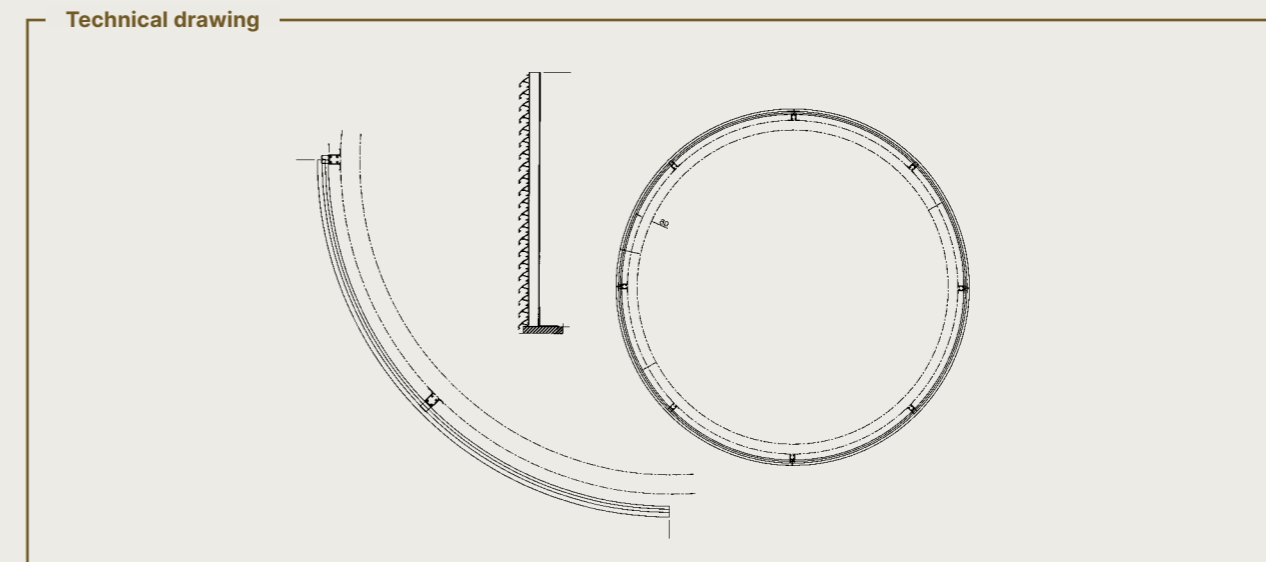
Welded corners (optional)

The profiles are welded in the corner, resulting in a sleek appearance. This corner solution not only looks more aesthetic, but also limits the risk of injuries because the welded corners feel softer. Only symmetrical versions are possible.



Curved design

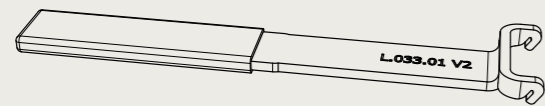
The profiles are also available in a curved version with a minimum inside or outside radius of 800 mm.



ACCESSORIES

Locking tools

The influence of heat can cause the profiles to expand or contract (aluminium has an expansion coefficient of 1 mm/metre). To ensure seams or borders of the profiles continue neatly above each other and do not shift over time, we recommend securing the profiles. Special locking tools have been developed for this. The securing tool is used to fold each blade at the height of one clip. As a result, the blade can still expand left and right, but then returns to its original position.

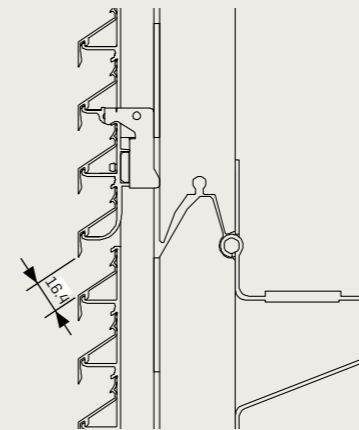


Finger clamp protection for sectional doors

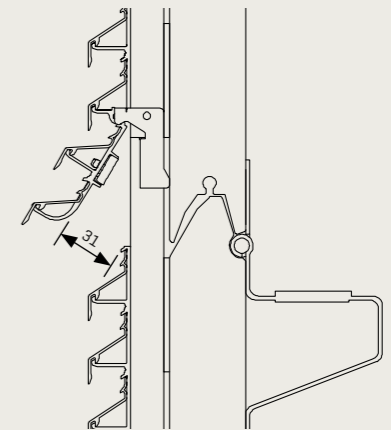
To ensure the garage door closes safely, Renson has developed a mechanical finger-trapping protection system that complies with the harmonised standard NBN EN 13241-1. This patented system prevents the pinching of fingers between two horizontal panels when opening or closing a sectional door. Even vulnerable children's hands are safe. Should a finger accidentally fall between two horizontal sections of the gate, the aluminium profile rotates away. Once the finger is removed, the profile returns to its original position on its own.

Finger-trapping protection system for sectional doors

FINGER CLAMP PROTECTION NOT ACTIVATED (GATE CLOSED)



FINGER CLAMP PROTECTION ACTIVATED (OPEN POSITION)





VERTICAL DESIGN

Aluminium design façade cladding with vertical accent

Linarte's vertical profiles can be used in various places. This helps create a unique, stylish, elegant and timeless look for a home or business premises. Garage gates and doors blend seamlessly into one tight façade surface. Functional elements such as a mailbox, intercom or doorbell are also seamlessly integrated. Thanks to the individual profiles, even curved façades are no problem, while the high-quality finish makes them suitable for interior applications as well.

Profile overview	28	Specific applications	
		Semi-open cladding	48
Linarte	30	Curved applications	49
		Day side finishing	50
Components		Gate and door coverings	52
Basic profiles	33	Sectional gates	54
Corner profiles	34		
Fitting profiles	36	Accessories and personalisation	
Changing profiles	37	Wood design	55
Mullion profile	37	Mix	55
Fitting profiles	38	Insert with wood or LED modules	57
Clips	38	Integration techniques	67
Nominal spacer	39	Garden elements	70
Fire clips	39		
		Architectural drawings	72
Technical details			
System depth	40		
Maximum span	41		
Sectional gates	43		

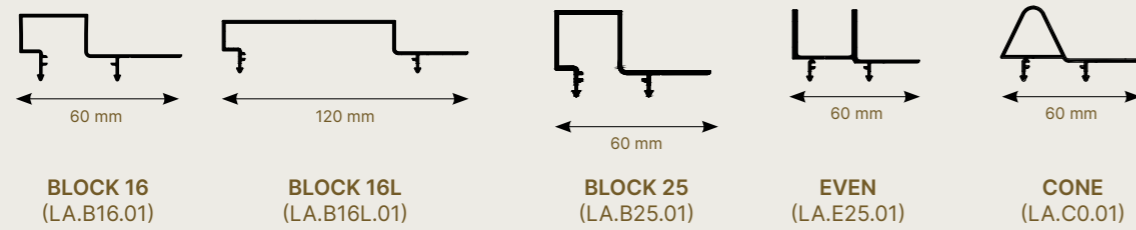
LINARTE® PROFILE OVERVIEW

Product approved by



Z-10.9-857

Basic profiles



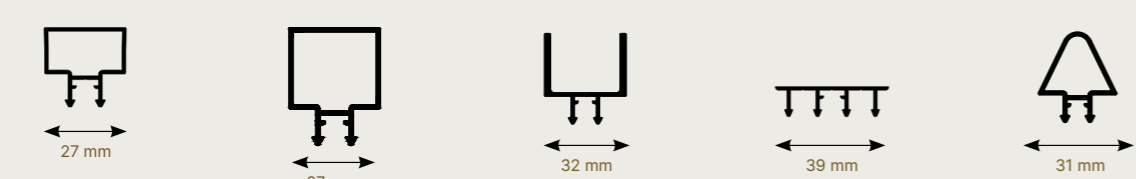
BLOCK 16 (LA.B16.01) **BLOCK 16L** (LA.B16L.01) **BLOCK 25** (LA.B25.01) **EVEN** (LA.E25.01) **CONE** (LA.C0.01)

Fitting profiles



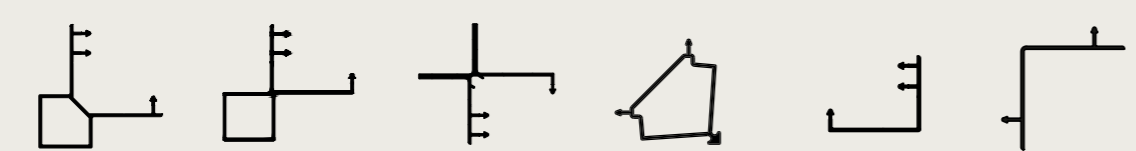
BLOCK 16 (LA.B16.05) **BLOCK 25** (LA.B25.05) **EVEN** (LA.E25.05) **CONE** (LA.C0.05)

Changing profiles



(LA.B16.02) (LA.B25.02) (LA.E25.02) (LA.A02) (LA.C0.02)

Corner profiles



BLOCK 16 (LA.B16.03) **BLOCK 25** (LA.B25.03) **EVEN** (LA.E25.03) **BLOCK 25 / EVEN** (LA.A04) **CONE** (LA.C0.03) **CONE** (LA.C0.04)

Finishing profiles for doors & semi-open cladding



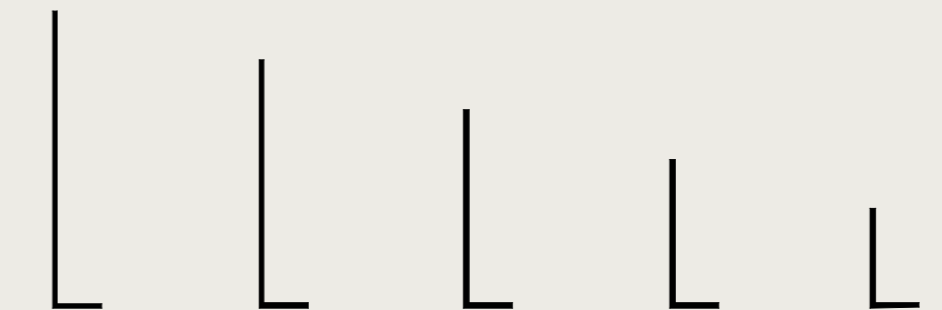
LA.D04 LA.D05 LA.C01

Finishing profiles for windows



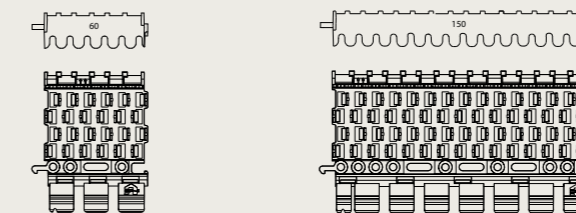
LA.D01 LA.D02 LA.D03

Finishing profiles standard L-profiles for reveal

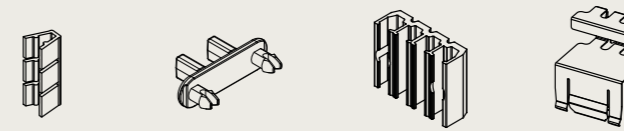


LA.L12202 (120×20×2) LA.L10202 (100×20×2) LA.L08202 (80×20×2) LA.L06202 (60×20×2) LA.L04202 (40×20×2)

Clips



CLIPS 60 (770) **CLIPS 150** (769)

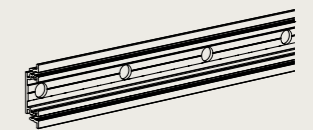


(1501) (778) (9029) (9243)

Mullion

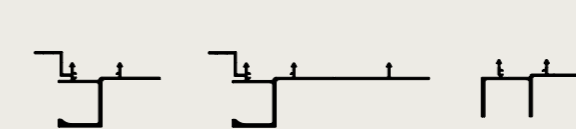


(AD.01852)



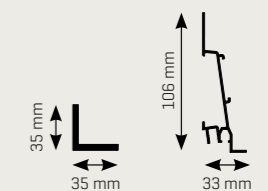
(AD.01853)

Door handle



EVEN (AZDE05)

Support profiles



(LA.S01) (LA.S02)

VERTICAL DESIGN

LINARTE®

Linarte façade cladding is constructed from an aluminium supporting structure that is equipped with UPVC clips. The profiles can be installed easily and quickly.

Seamless integration of functionalities



PATENTED

CONCEALED FIXATION

The patented clips ensure a sleek design while allowing thermal expansion at the same time. In addition, they make replacing damaged profiles very easy.



reddot design award
winner 2018

Sleek lines

Add a subtle or pronounced vertical accent to your façade or interior.

Customisation

Combine profiles to define your own look. The wooden inserts and LED modules for the wood design finish mean you can finish the façade to your own taste.

Fast installation

The intelligently developed and patented clip system allows smooth installation; the system is adjustable in width.

Seamless corner connections

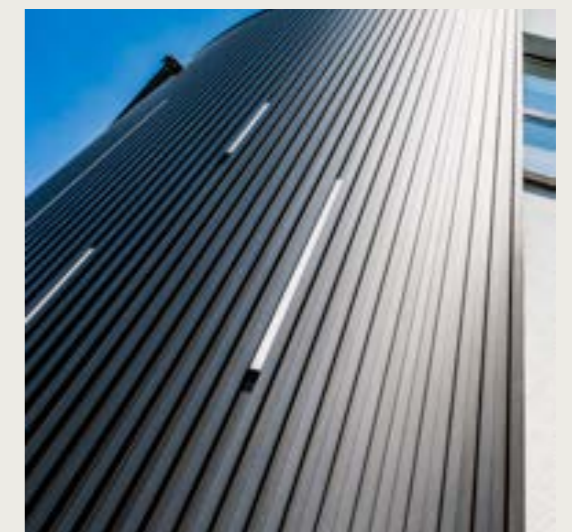
Thanks to the specifically developed corner profiles, the sleek design continues seamlessly.

Indoor & outdoor use

The high-quality finish makes the profiles suitable for interior applications as well. Accentuate your fireplace wall, or expand your living room by extending the wall from the inside to the outside.

Curved façades

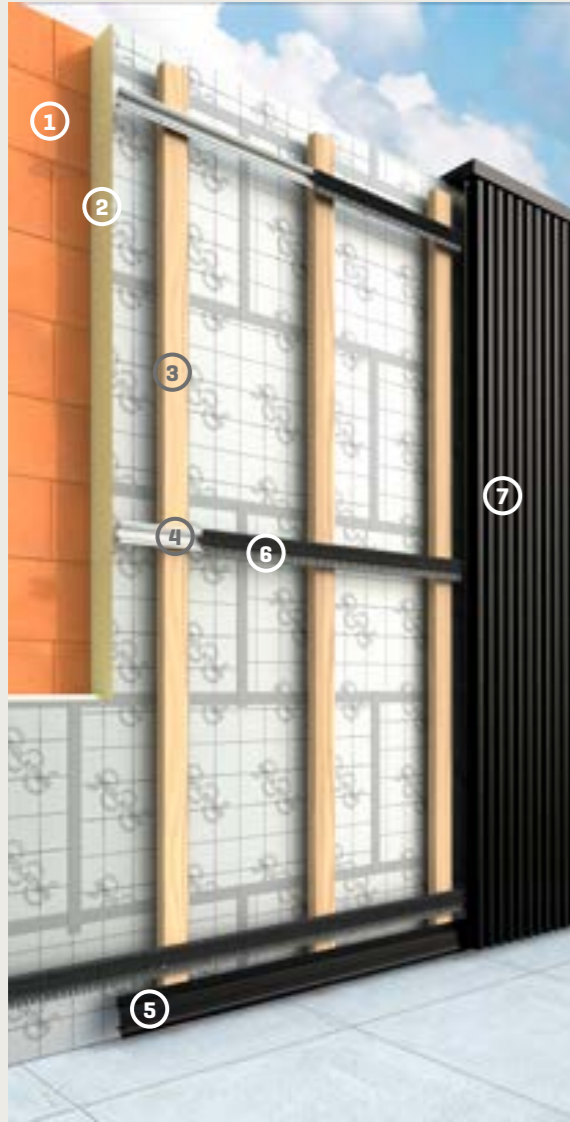
The individual profiles even make it possible to finish curved façades or structures with Linarte.



VERTICAL DESIGN

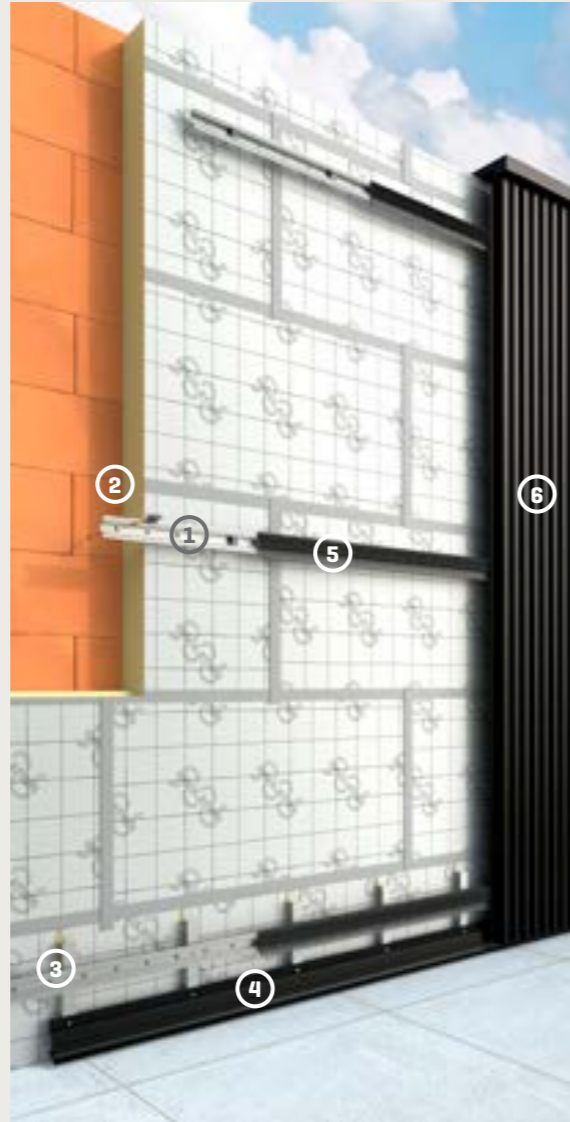
LINARTE®

Structure of the system



On a wooden beam structure or existing structure

- ① Load-bearing wall
- ② Insulation
- ③ CLS/SLS
- ④ Aluminium mullions
- ⑤ Support profile
- ⑥ Clips
- ⑦ Linarte profiles



Direct fixation

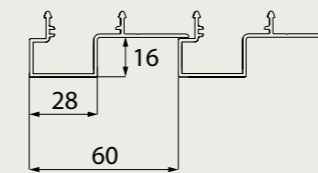
- ① Perforated aluminium mullion
- ② Spacer screws and anchor plug
- ③ Profile support
- ④ Support profile
- ⑤ Clips
- ⑥ Linarte profiles

COMPONENTS

Basic profiles

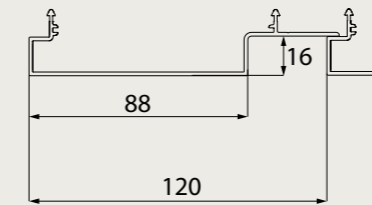
There are four types of basic profiles designed to shape your façade. These can be placed by type, but it is also possible to use them interchangeably for a unique and personal result.

Basic profile BLOCK 16 and BLOCK 16L



BLOCK 16

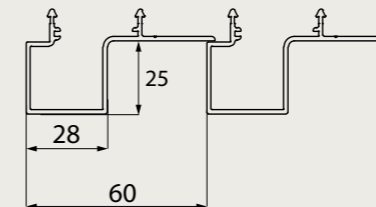
The basic version of the Linarte block-shaped aluminium profiles are 16 mm deep. This limited depth creates a subtle vertical line pattern with limited relief and minimalist look.



BLOCK 16L

The 16 mm deep BLOCK profiles are also available in a width of 120 mm. This type can only be used in random walls.

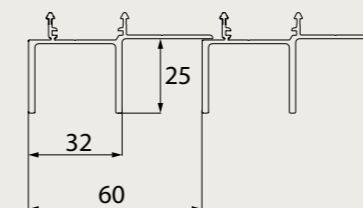
Basic profile BLOCK 25



BLOCK 25

The block-shaped 25 mm deep Linarte profile ensures a strongly pronounced vertical interplay of lines. This results in striking shadow effects that bring a façade to life. These deep block profiles can be combined with inserts in wood or LED modules.

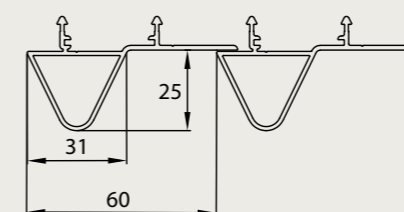
Basic profile EVEN



EVEN

The rib-shaped 25 mm deep EVEN profile ensures the sleekest Linarte result and most strongly emphasises the vertical lines of a façade. These profiles can also be combined with inserts in wood or LED modules.

Basic profile Cone

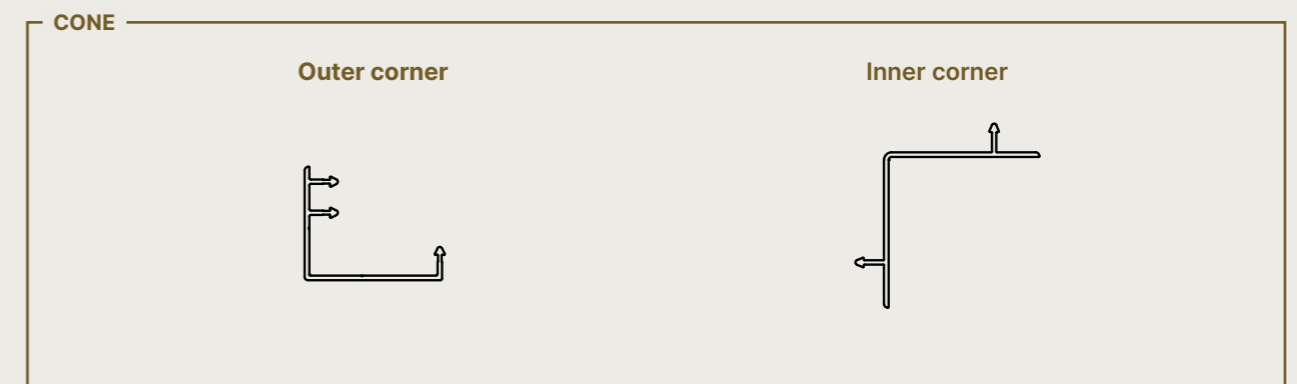
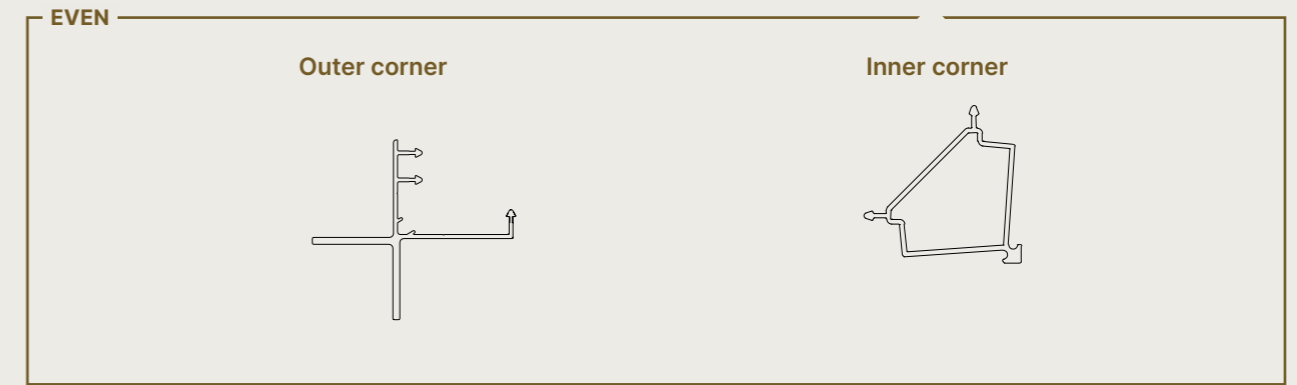
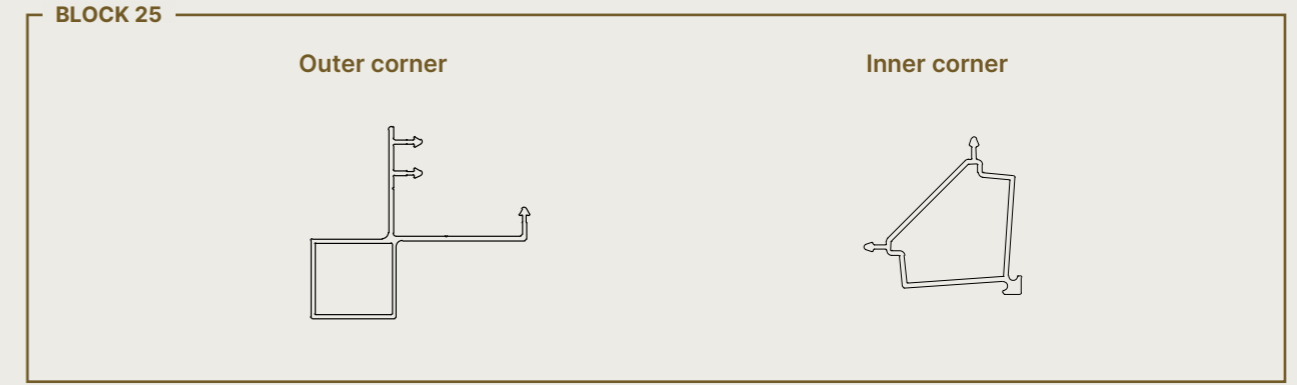


CONE

Cone is the cone-shaped version of Linarte. These aluminium profiles are 25 mm deep, 60 mm wide, and fit perfectly into the current trend of aluminium windows that imitate the authentic design of classic steel windows. The Linarte Cone profiles can be combined with inserts in wood or LED modules.

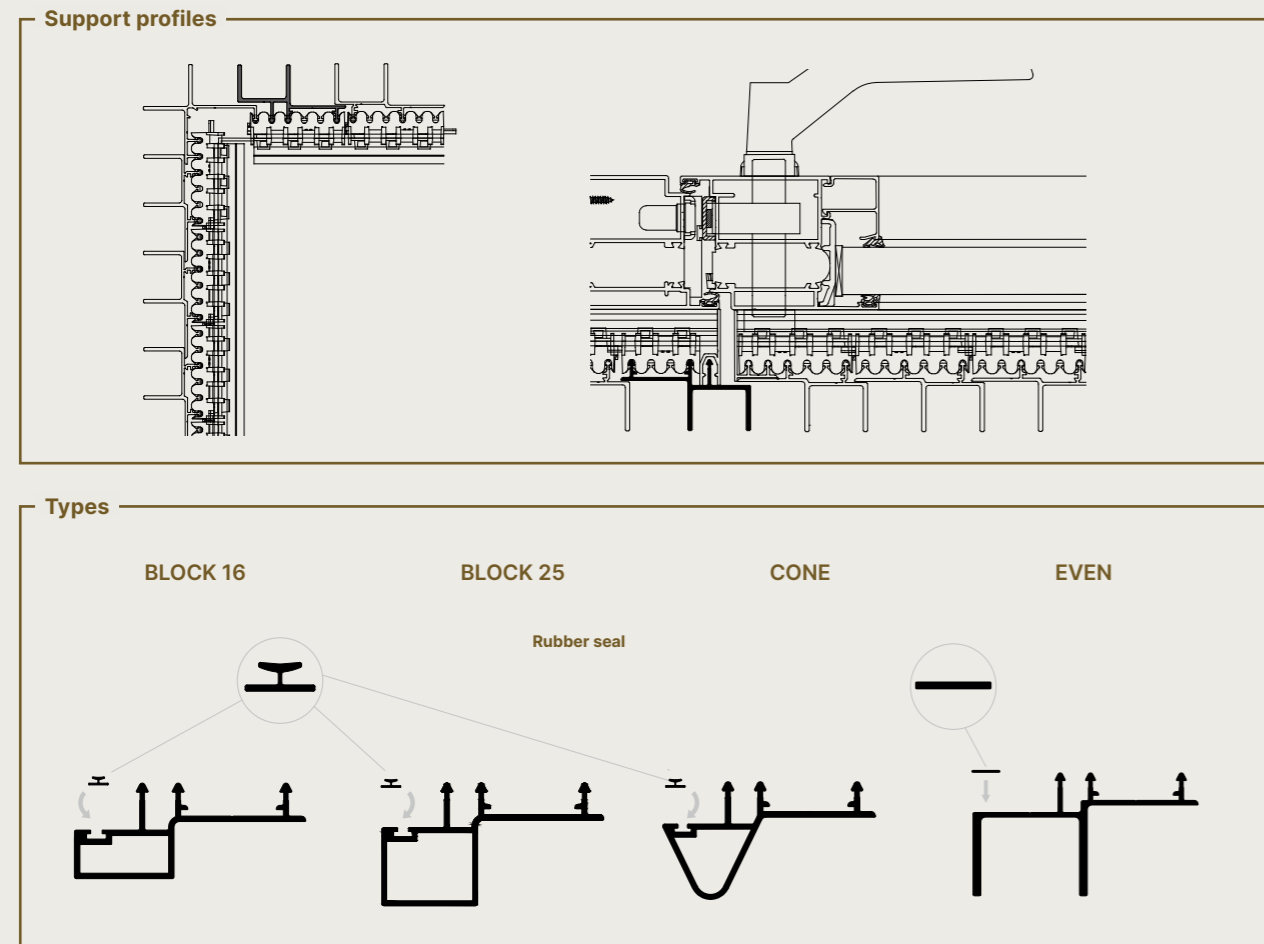
Corner profiles

To achieve a seamless corner finish, use four types of outer corner profiles and two inner corner profiles.



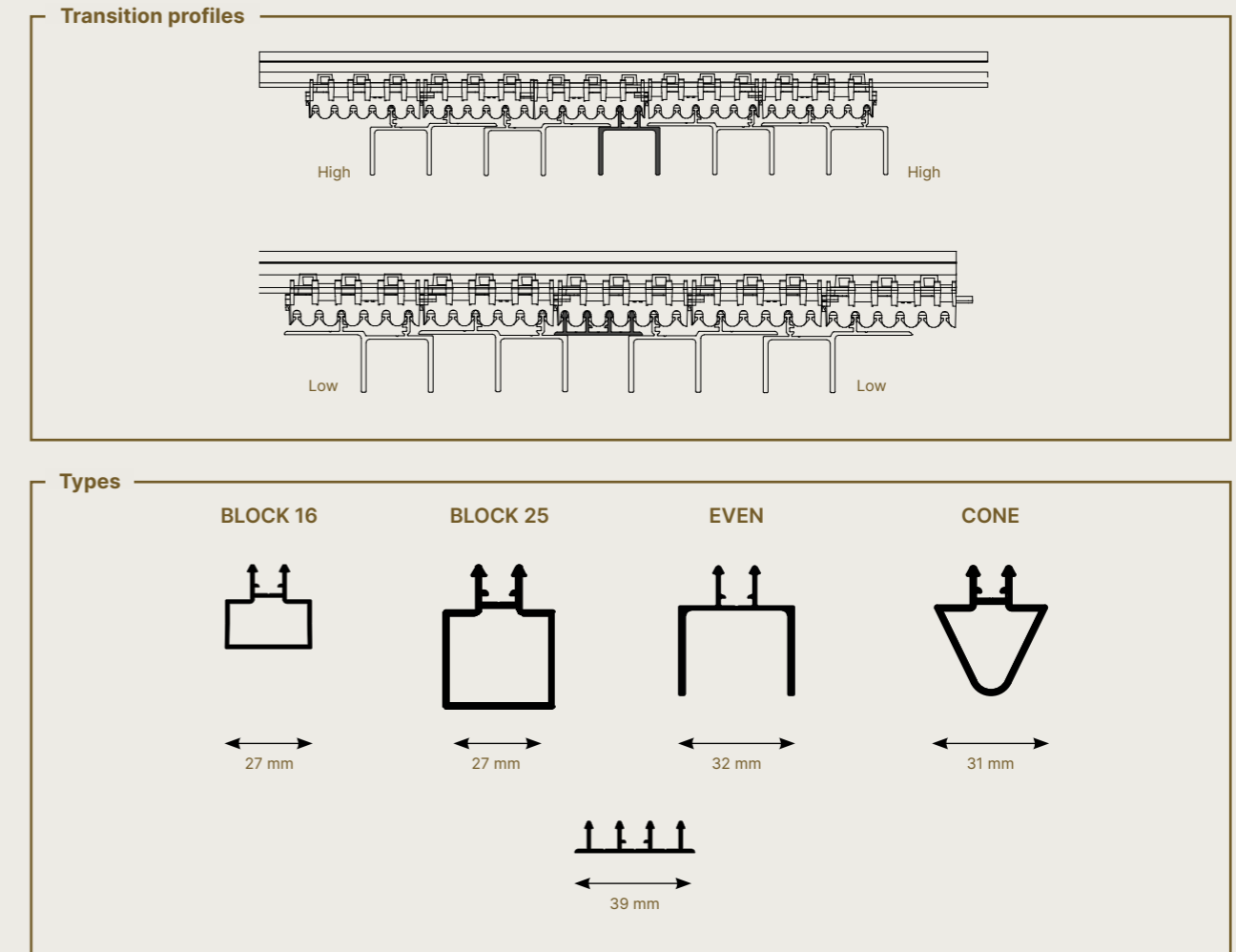
Fitting profiles

A fitting profile is always combined with the outer corner profiles BLOCK 25 and EVEN. The support profiles are also used for connections next to gates or doors and can be provided with a rubber seal for this purpose.



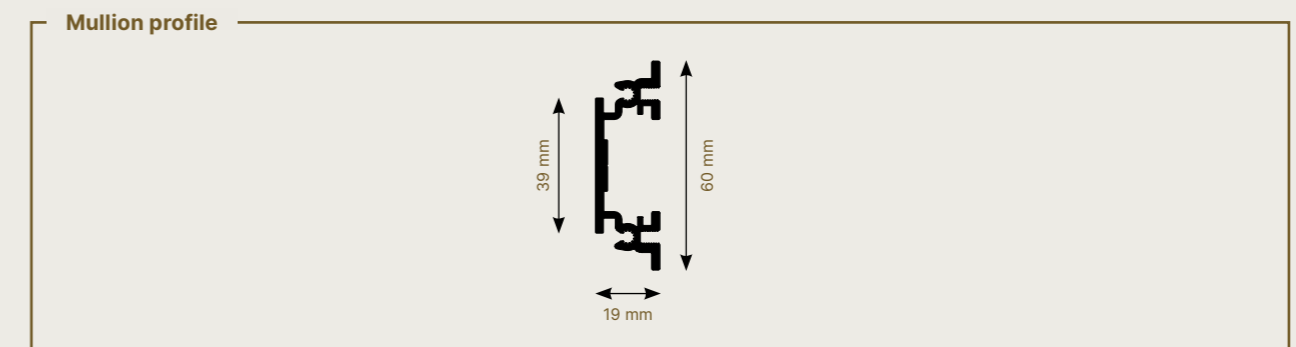
Changing profiles

Interchangeable profiles are possible to enable a symmetrical finish (e.g. around windows or doors). As a result, the wall ends on both sides with a high or a low side of the profile.



Mullion profile


The basic profiles are mounted to the mullion profile AD.01852 with clips



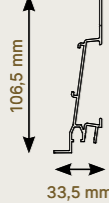
Support profile

The profiles must be supported at the bottom by a mullion profile. Two types are available:

Support profiles



LA.S01
L 35×35×3
Suitable for use on interior walls, aluminium background or door profiles. Not suitable for installation on a wooden roof structure (if a screw is mounted too close to the end of the CLS there is a risk of cracking the wood).

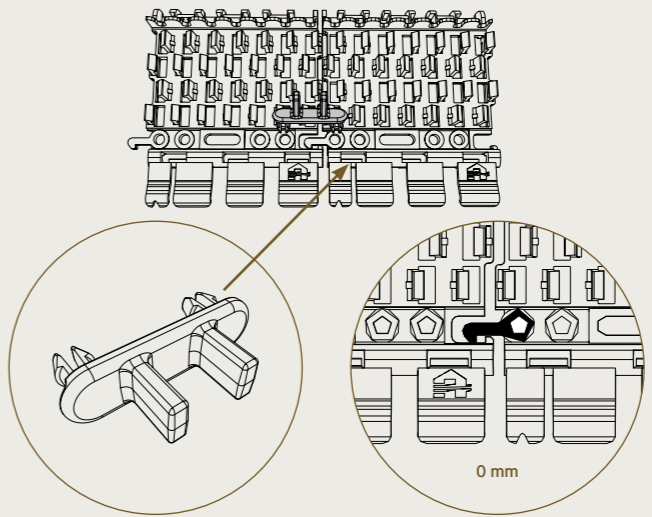


LA.S02
106.5 × 33.5 × 1.5 mm
Suitable for mounting on wooden roof structure and others. An alignment plate can be mounted to the slot/groove to align multiple mullion profiles with each other. Equipped with a detail in which an LED module can be mounted and a detail for clicking in a reveal profile for above a window.

Nominal spacer

The nominal spacer can be used to quickly place the clips 60 at the nominal distance of 60 mm.

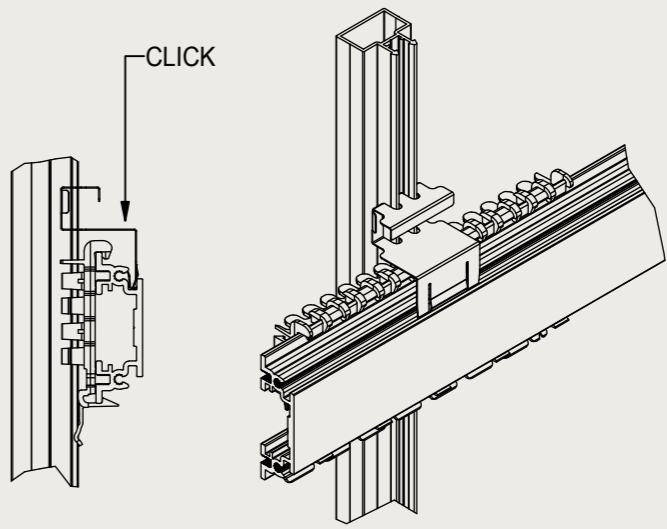
Nominal spacer



Fire clips

If required to comply with local fire safety legislation, each profile must be secured with fire clips. This ensures the profile will not fall in the event of a fire.

Fire clips

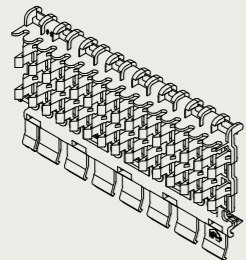


Clips

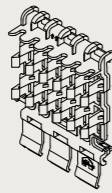
The clips are made of POM. Available in two widths:

Clips

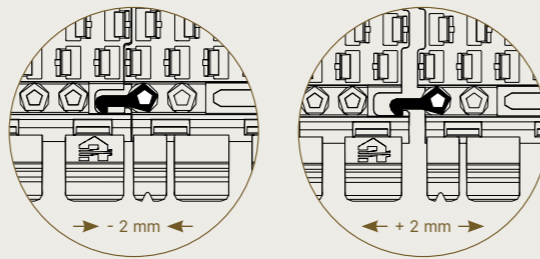
2001306



2001307



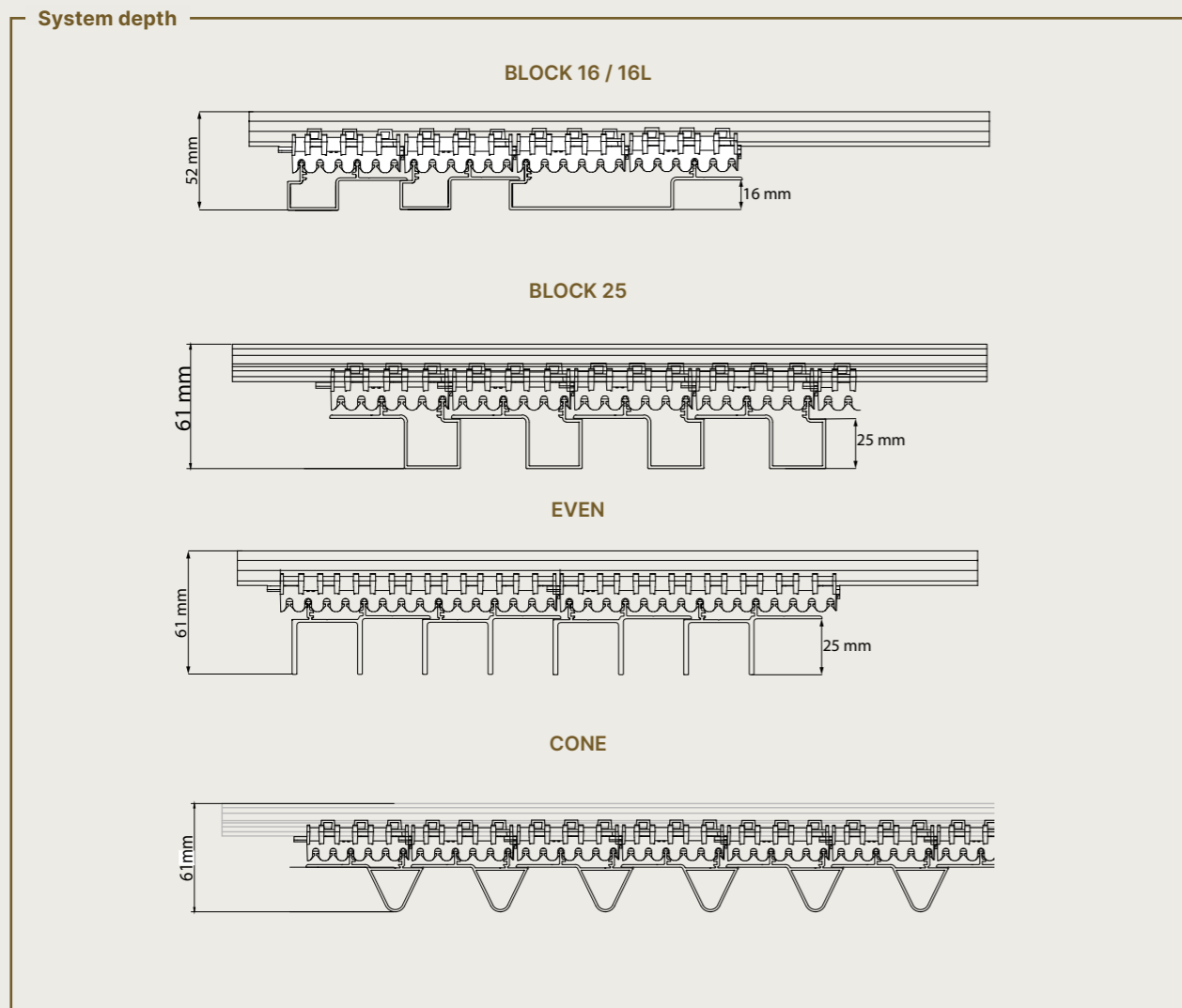
For quick, nominal placement of the profiles (larger surfaces), use clips 150. The individual clips 60 are the same width as the BLOCK or EVEN profiles and can be extended or retracted by 2 mm, allowing you to easily adjust the wall width to the surface to be covered. As a result you can extend or retract up to 32 mm per linear metre of wall.



TECHNICAL DETAILS

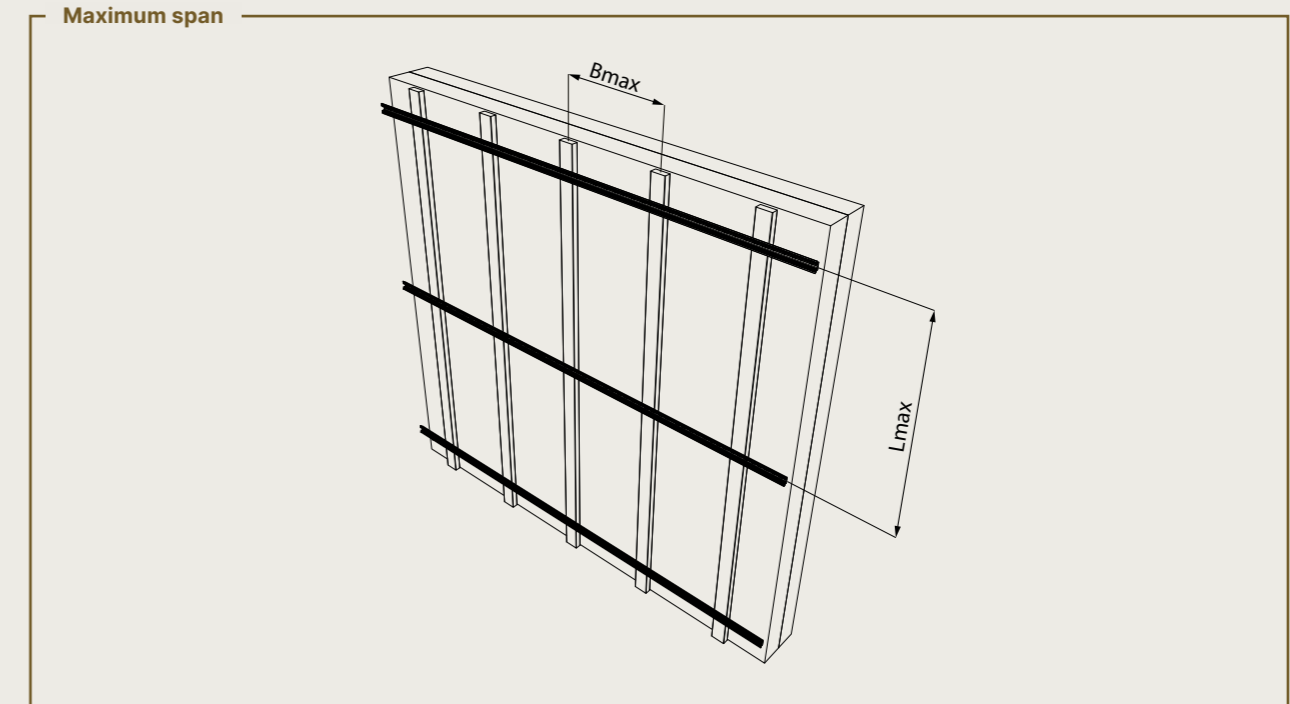
System depth

This is the total package thickness of the system (mullion + clips + profile)



Maximum span

The maximum span depends on the wind load.
The price list is based on a wind load of 800 Pa.

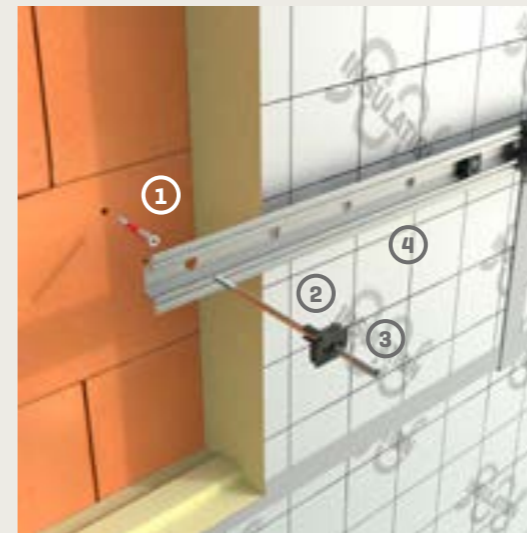


Technical details					
Material	Aluminium extrusion, alloy EN AW-6063 T66				
Mullions	Technical anodised				
Powder coating	Polyester powder coating (60-80 microns) in Renson standard textured coating colours				
Dimensions	BLOCK 16	BLOCK 16L	BLOCK 25	EVEN	CONE
Width	60 mm	120 mm	60 mm	60 mm	60 mm
Height	16 mm	16 mm	25 mm	25 mm	25 mm
Max. profile length	6000 mm				
L_{max} = Max. span between two horizontal mullions*	1200 mm				
H_{max} = Max. span for mounting the mullions to the underlying structure*	800 mm				
Weight/m ²	10 kg	9 kg	13 kg	13 kg	11 kg

* For wind pressure $q_p(z)$ 800 Pa

Direct fixation

The mullions can be anchored directly in the outside wall using UPVC anchor plugs that connect the spacer screws to the mullion. This helps you save costs and placement time compared to traditional roof structure work. This method is also much more sustainable with a minimum number of thermal bridges.

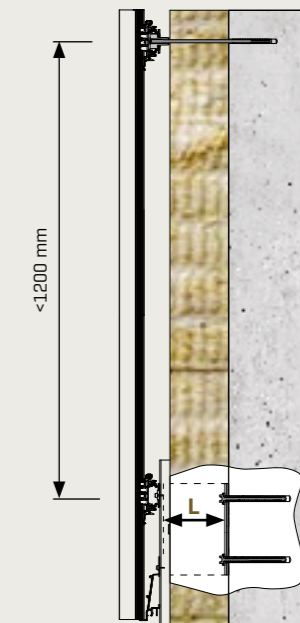


- ① Fischer Duopower 8 x 65 mm
- ② ASL Ø 6 mm, length based on thickness of insulation
- ③ UPVC anchor plug (optional fire-resistance version)
- ④ Perforated mullion



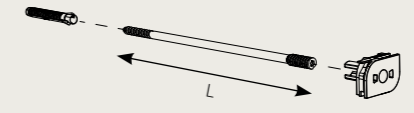
An L-profile is used to mount the mullion profile and the lower mullion, and is mounted to a supporting profile. The length of the supporting profile is chosen based on the insulation thickness.

- ① Supporting profile with clamping spring, length according to insulation thickness
- ② Thermal break, self-adhesive
- ③ Construction plug Fischer SXRL 10 x 80 FUS
- ④ L-profile



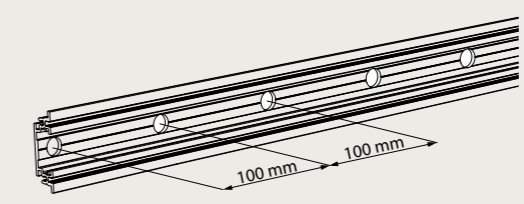


Spacer screw ASL \varnothing 6xL with wall plug and anchor plug

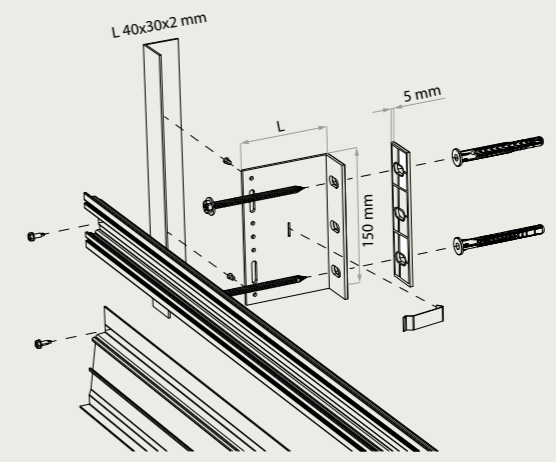


- L=150 mm (25970)
- L=175 mm (26120)
- L=200 mm (25971)
- L=225 mm (27268)
- L=250 mm (25667)
- L=275 mm (25972)
- L=300 mm (25668)
- L=325 mm (25669)

Pre-punched mullion



Profile support 150xLx3 mm with thermostop, L-profile and construction plugs



- L=60 mm (27280)
- L=80 mm (25686)
- L=100 mm (25982)
- L=120 mm (26138)
- L=140 mm (26139)
- L=160 mm (25687)
- L=180 mm (26140)
- L=200 mm (25688)
- L=220 mm (27281)
- L=240 mm (27282)
- L=260 mm (25983)

Direct fixation - Technical details

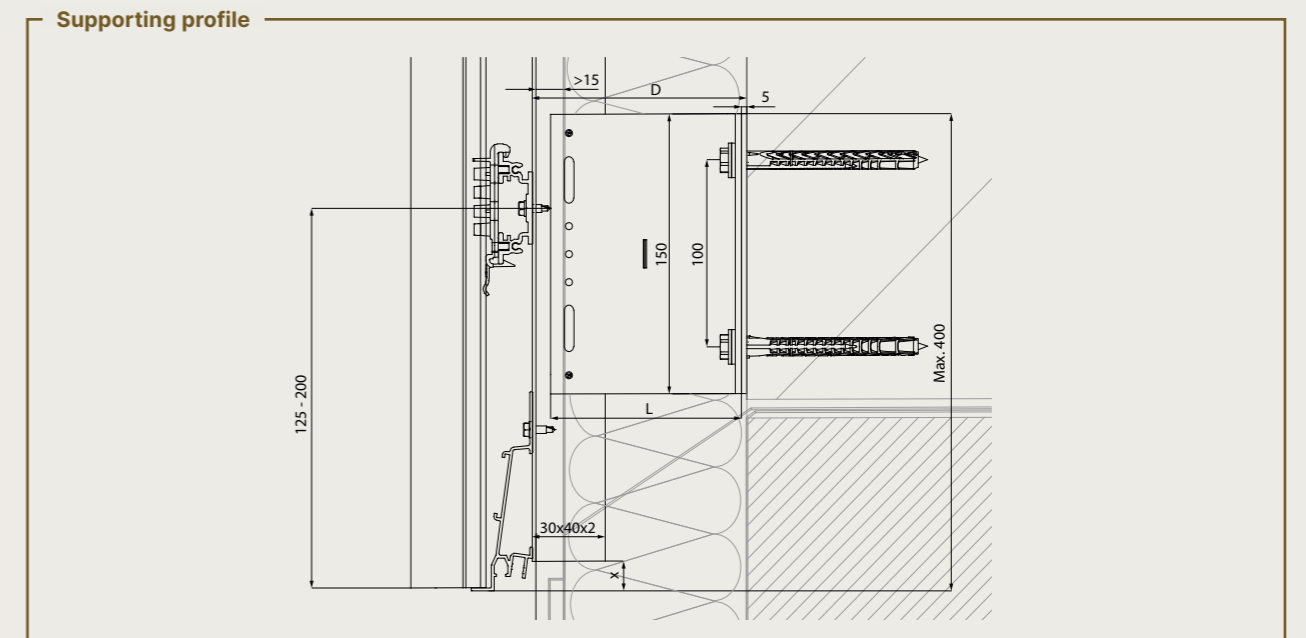
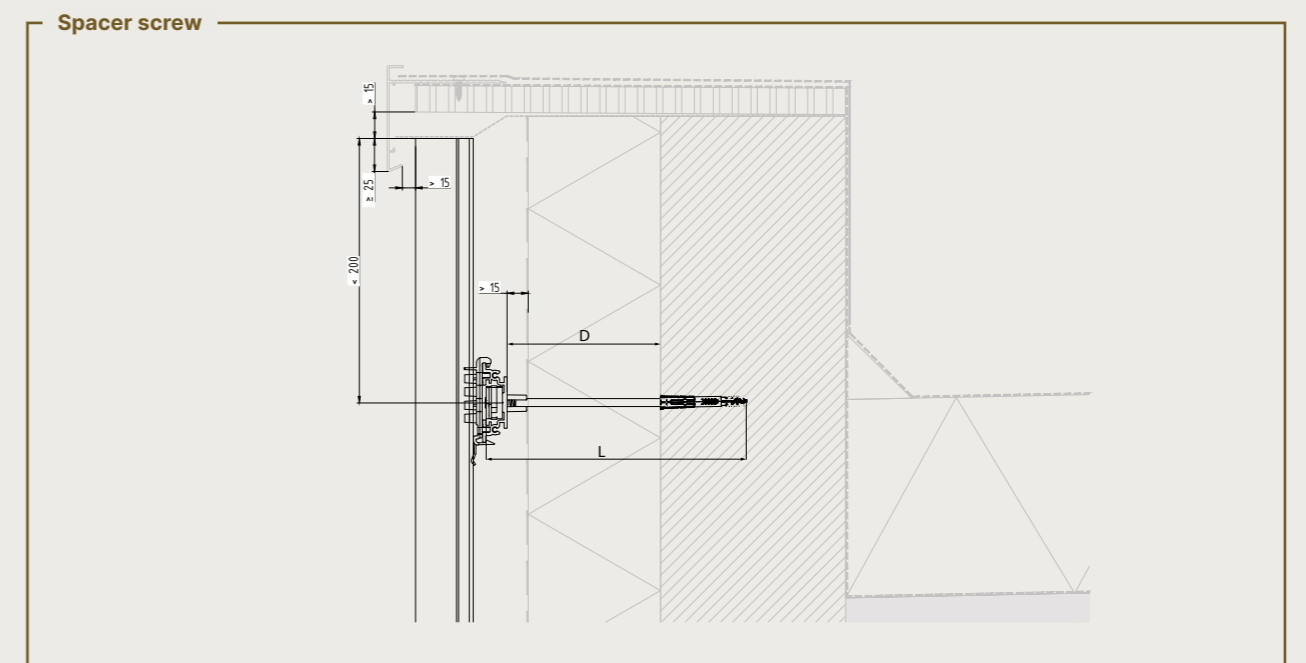
The table below gives a guideline for the maximum horizontal spacing of the mounting screws for each type of surface. The lengths of the spacer screws and supporting profiles depend on the chosen insulation thickness. These values are valid for a maximum wind load of 800 Pa. The entire liability for the use of the values in these tables is borne by the user.

Thickness parameter [Air gap + insulation]		Supporting profile length	Ref. NR's
From	To		
70	89	60	27280
90	109	80	25686
110	129	100	25982
130	149	120	26138
150	169	140	26139
170	189	160	25687
190	209	180	26140
210	229	200	25688
230	249	220	27281
250	260	240	25983

Thickness parameter [Air gap + insulation]		Length screw Fischer ASL Ø6 mm	Ref no.	Ref no. - fire version
From	To			
70	87	150	25970	26121
88	112	175	26120	25670
113	137	200	25971	25671
138	162	225	27268	26122
163	187	250	25667	27269
188	212	275	25972	26123
213	237	300	25668	25973
238	260	325	25669	29868

Supporting profile + 2x Fischer SXRL 10 x 80 FUS	Height Façade part (m)	Length supporting profile (mm) L	Surface type					
			Concrete	Full brick	Full limestone	Aerated concrete	Vertically perforated quick building blocks	Perforated sand-lime brick
Maximum mutual distance Supporting profiles (mm)	0-3	80	800	800	700	400	300	700
		100						
		120						
		140						
		160						
		180						
		200						
	220							
	240							
	260							
	3-6	80	800	800	700	400	-	500
		100						
		120						
		140						
160								
180								
200								
220								
240								
260								

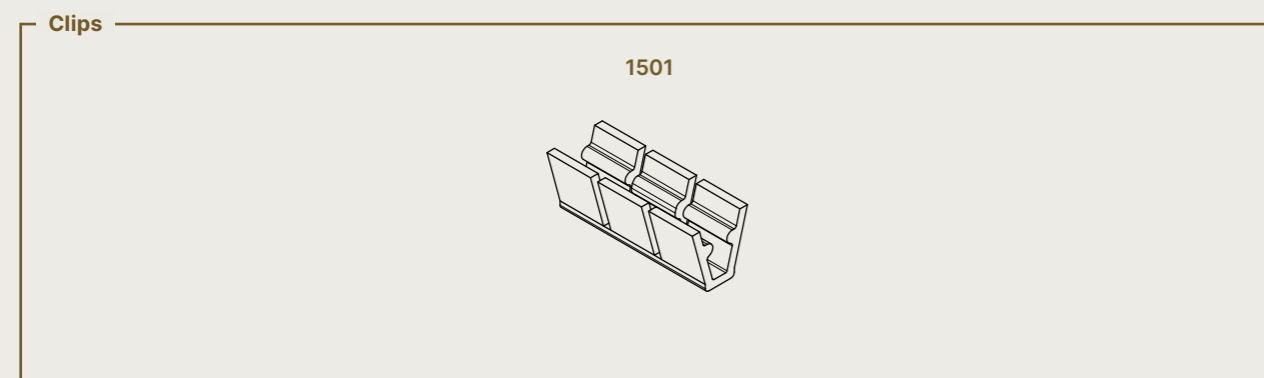
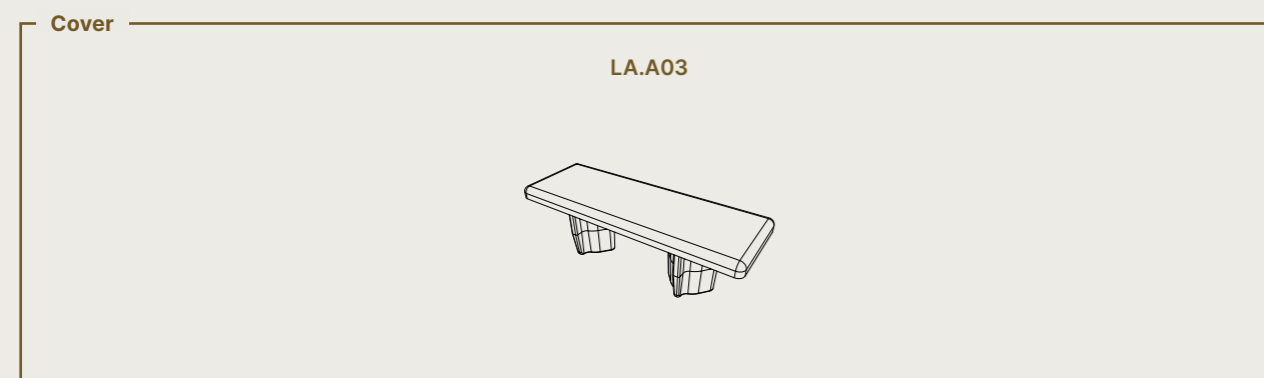
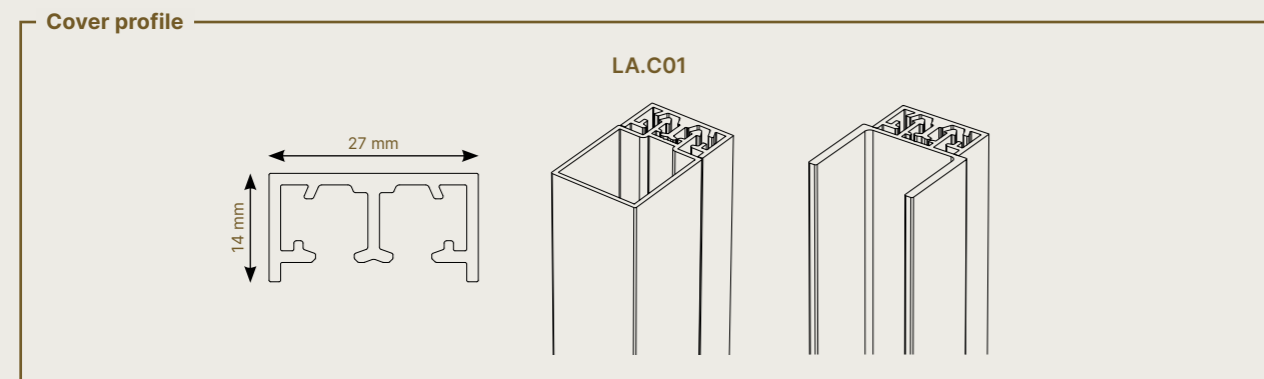
Fischer Duopower 8 x 65 mm + screw ASL Ø 6 mm	Surface type					
	Concrete	Full Brick	Full sand-lime brick	Aerated concrete	Vertically perforated quick building blocks	Perforated sand-lime brick
Type	≥ C20/25	≥ MZ12	≥ KS12	≥ AAC4	≥ H1z 12	≥ KSL 12
Maximum distance between ASL screws (mm) for distance between horizontal mullions ≤ 1200 mm				600	400	
Maximum distance between ASL screws (mm) for distance between horizontal mullions ≤ 1000 mm		800		700	500	800
Maximum distance between ASL screws (mm) for distance between horizontal mullions ≤ 800 mm				800	600	



SPECIFIC APPLICATIONS

Semi-open cladding

The interchangeable profiles are used to ensure the profiles continue in front of the window. The BLOCK or EVEN interchangeable profile continues over the entire height of the wall, while the flat LA.A02 interchangeable profile is interrupted at the height of the window. A cover profile LA.C01 is installed on the back of the BLOCK or EVEN interchangeable profile using clips (every 500 mm) over the entire height of the window. The interchangeable profiles LA.A01 are closed with an aluminium cover LA.A03 coated in the same colour as the Linarte profiles



Max. window height: 1200 mm
Non-standard heights available upon request.

Curved applications

The mullion profiles are also available in a curved version with a minimum inside or outside radius of 1000 mm. Only the individual clips 60 are used in the curved version, and a standard L-profile is used. In this case, the indirect LED option is not possible.

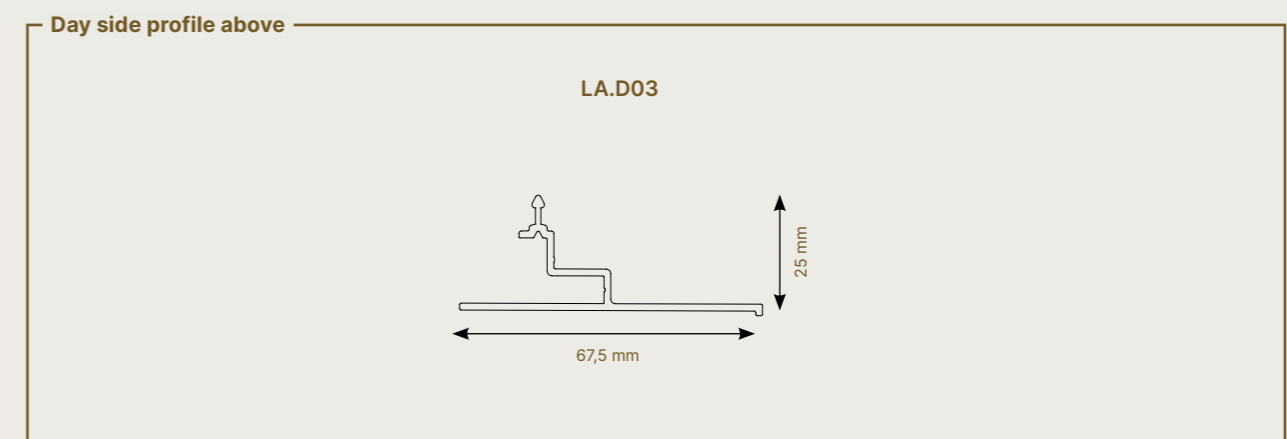
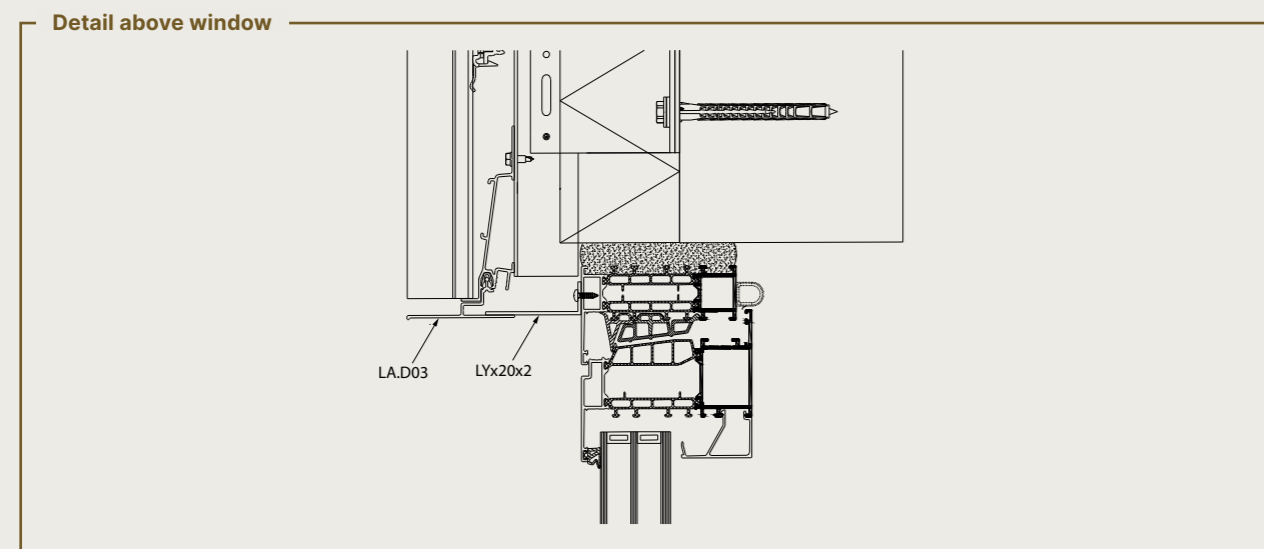
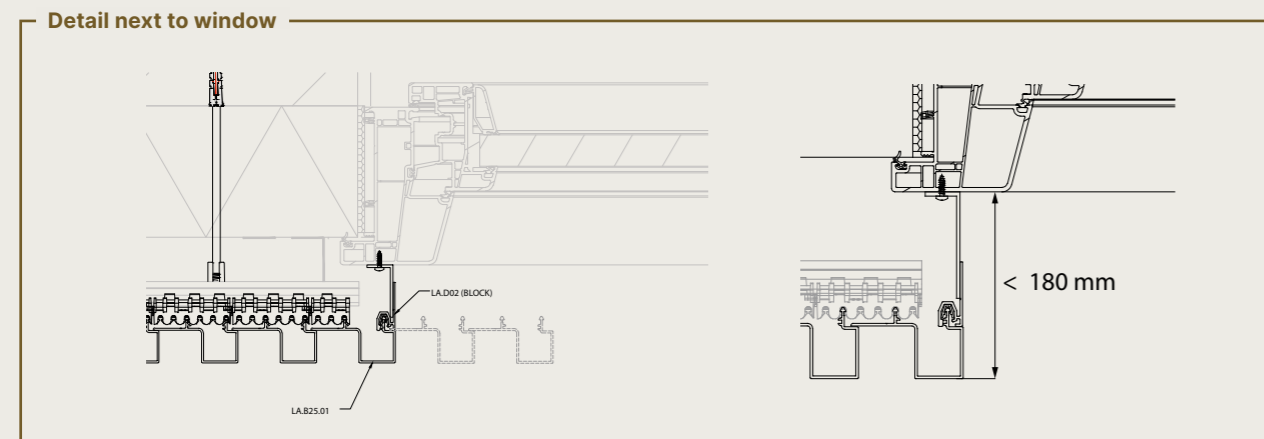


Day side finishing

The Linarte day side profiles can be ordered together with the rest of the Linarte cladding. This means you save time and are guaranteed the same finish of cladding and reveals. The system is mounted without visible screws and is adjustable in depth without the need for sawing.

An L-profile is screwed or glued to the window, which is positioned behind the reveal profiles LA.D01, LA.D02 and LA.D03. Because the L-profiles are available in depths of 40-120 mm as standard, a total reveal depth of up to 180 mm is supported, while different insulation thicknesses can be covered without having to be sawn.

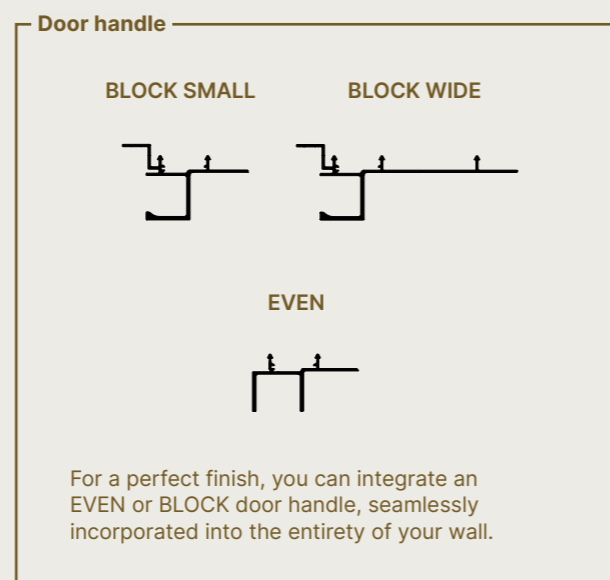
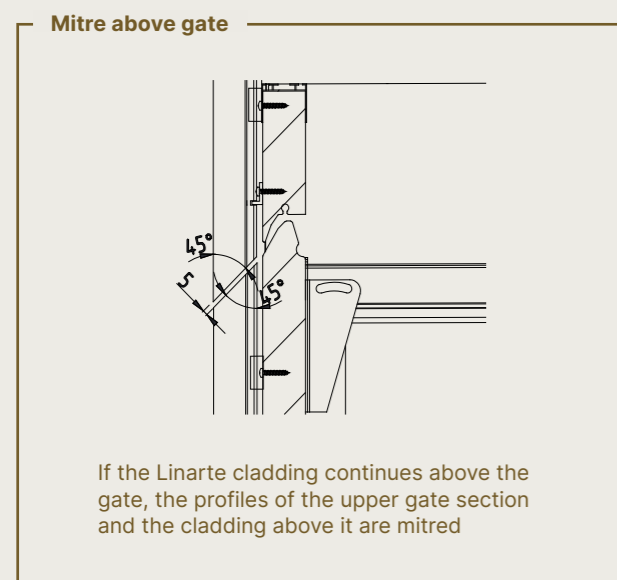
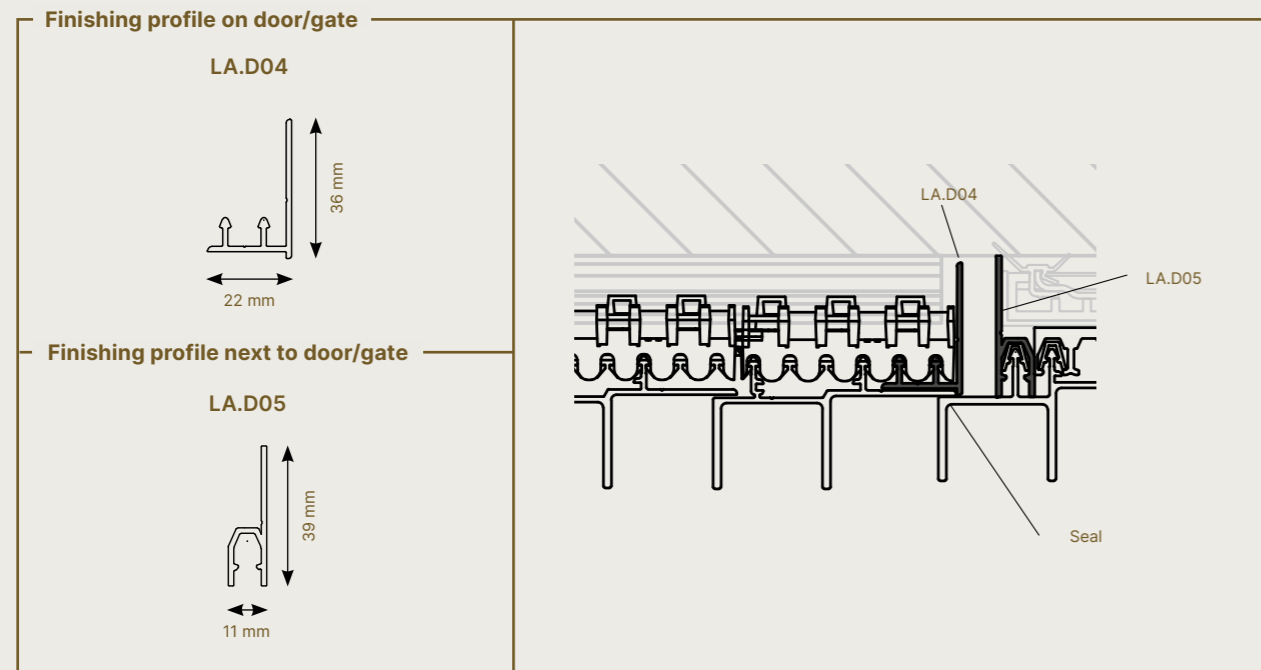
The day side profiles LA.D01 or LA.D02 next to the window are clipped to the Linarte BLOCK or EVEN profile with rubber installation clips 1501. The reveal profile LA.D03 for above the window is also clipped into the mullion profile LA.S02 with rubber installation clips 1501. The rubber installation clips 1501 are used every 500 mm.



Gate and door cladding

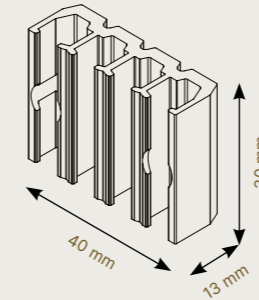
Doors, sectional doors and up-and-over doors can be covered with Linarte and thus integrated almost seamlessly into the façade surface. The fixed part next to a gate or door is finished with a support profile to create more clearance between the fixed and opening door or gate part. In addition, a seal can be provided on the support profile. See page 54 for the optional finger-trapping protection system.

The gate or door parts are finished sideways with the door finishing profiles LA.D04 (moving part) and LA.D05 (fixed part). LA.D04 is mounted to the UPVC clips, LA.D05 is mounted to the support profile with rubber installation clips 1501 (every 500 mm).



Lowered aluminium clips

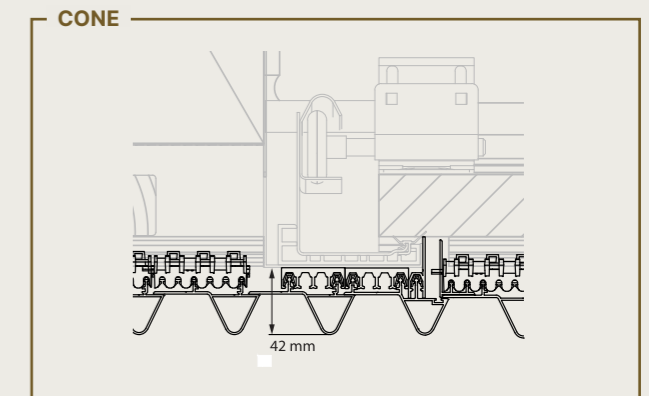
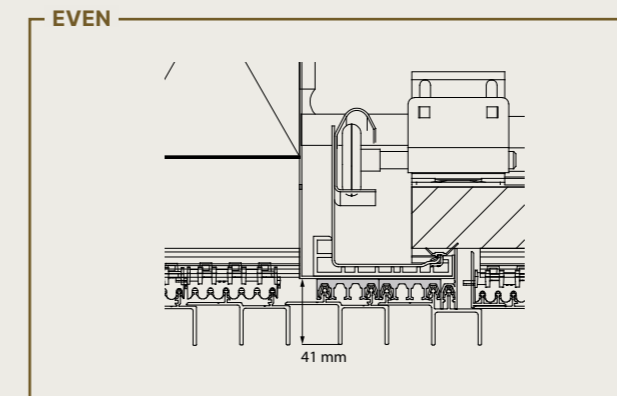
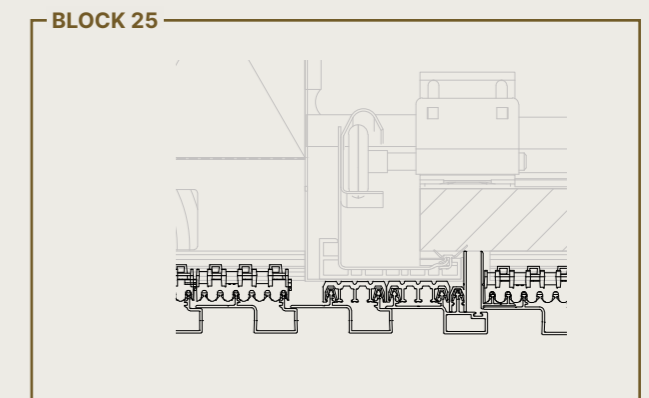
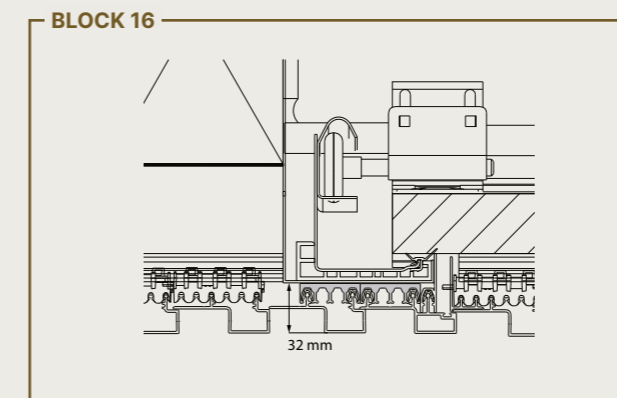
9029



To reduce the system depth, the lowered aluminium clips can be used. These must be individually aligned and screwed directly to the surface. The Linarte profiles are clipped in here by using two rubber installation clips 1501 per aluminium clips.

System depth with lowered aluminium clips

This is the total package thickness of the system (lowered aluminium clips + profile)



For the optional finger-trapping protection system, see page 54

Optical finger clamp protection for sectional doors



- Mounting profile for installation of an optical sensor type Cedes GridScan/Mini (sensor not included).
- This profile can be screwed onto a BLOCK or EVEN profile.

Technical details	
W x L x D	60 x 20 x 2 mm
Material	6060 T66 3.3206 EN 573-3 EN 755-1/2 EN 755-7/9

ACCESSOIRES AND PERSONALISATION

Wood design

Wood finishing is the latest addition in the Linarte range. It seamlessly combines the warmth of wood with the durability of aluminium while offering an easy-to-maintain solution that adds value to any project.

Wood design is available in a light (Coriander oak) and dark (Toffee oak) version and can be applied to all BLOCK profiles.



Toffee oak



Coriander oak



Mix

The Linarte façade cladding is made up of individual profiles, which means the different types can be installed randomly together. This allows you to create your own design with a playful random effect or a repetitive motif. You can even choose to exchange profiles during installation.

BLOCK 16L was added to the range of basic profiles to expand the possibilities. There are no corners, switches or support profiles, so they can only be used in the mix.

For inspiration, some possible examples of “random” configurations with the different Linarte profiles can be seen below... but of course, there are 1001 combinations or more possible, including with the new wood design.



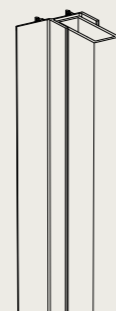
Examples

BLOCK 25 - BLOCK 16



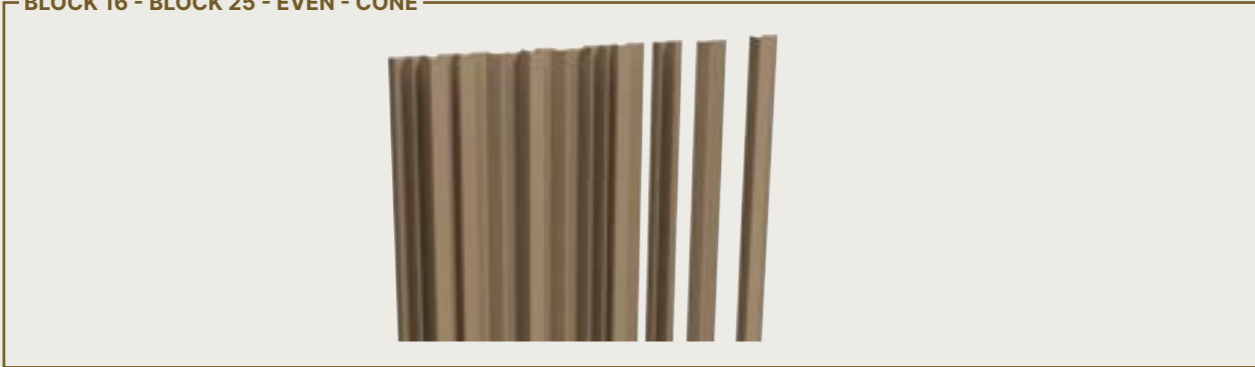
Profile for installation of sensor

LA.P01



Detail

BLOCK 16 - BLOCK 25 - EVEN - CONE



BLOCK 16 - BLOCK 16L - BLOCK 25 - EVEN



BLOCK 25 - BLOCK 16 - EVEN



Inserts with wood or LED modules



No insert



Inserts with wood



Inserts with LED modules



Inserts with wood and LED modules

Wood inserts



- Give your façade a unique look by adding wood inserts.
- The drill jig ensures the inserts are always positioned in the middle.

Technical details	
Dimensions	Available in standard lengths: 267, 455, 830 and 1205 mm The top side is bevelled to drain water towards the back
Material	Thermo-es
Mounting	In UPVC, to be mounted to the wooden inserts by the customer. Two jigs are available for this

Mounting



Detachable: (771)



With two mounting pins – not detachable: to mount wooden inserts smaller than 7 cm: (892)

House numbers



- House numbers 0 to 9, letters A to D.
- Available in one font and size.
- Only applicable with Linarte EVEN profiles.

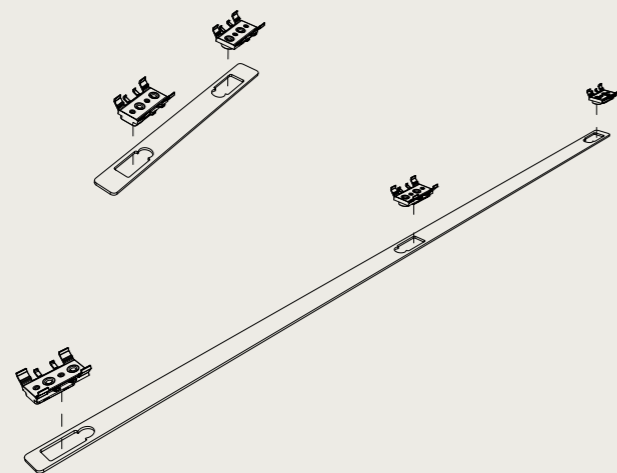
Technical details	
Height	± 450 mm
Material	Thermo-es with UPVC clips
Mounting	This set consists out of - Wooden inserts (thermo-es) - Clips and screws to mount the slats to the Linarte EVEN profiles - Installation sticker: for aligning and drilling the mounting holes in the Linarte EVEN profiles

Installation jig for LED modules and wooden inserts

Drilling holes for mounting wooden inserts or LED modules in the Linarte profiles must be taken care of by the customer. Renson has developed a drill jig for this.

Drill jig

BLOCK: 2627
EVEN: 4363



499	Set thermo-es house no. 1
500	Set thermo-es house no. 2
501	Set thermo-es house no. 3
502	Set thermo-es house no. 4
503	Set thermo-es house no. 5
504	Set thermo-es house no. 6
505	Set thermo-es house no. 7
506	Set thermo-es house no. 8
507	Set thermo-es house no. 9
508	Set thermo-es house no. 0
509	Set thermo-es house no. A
510	Set thermo-es house no. B
511	Set thermo-es house no. C
512	Set thermo-es house no. D

LED modules

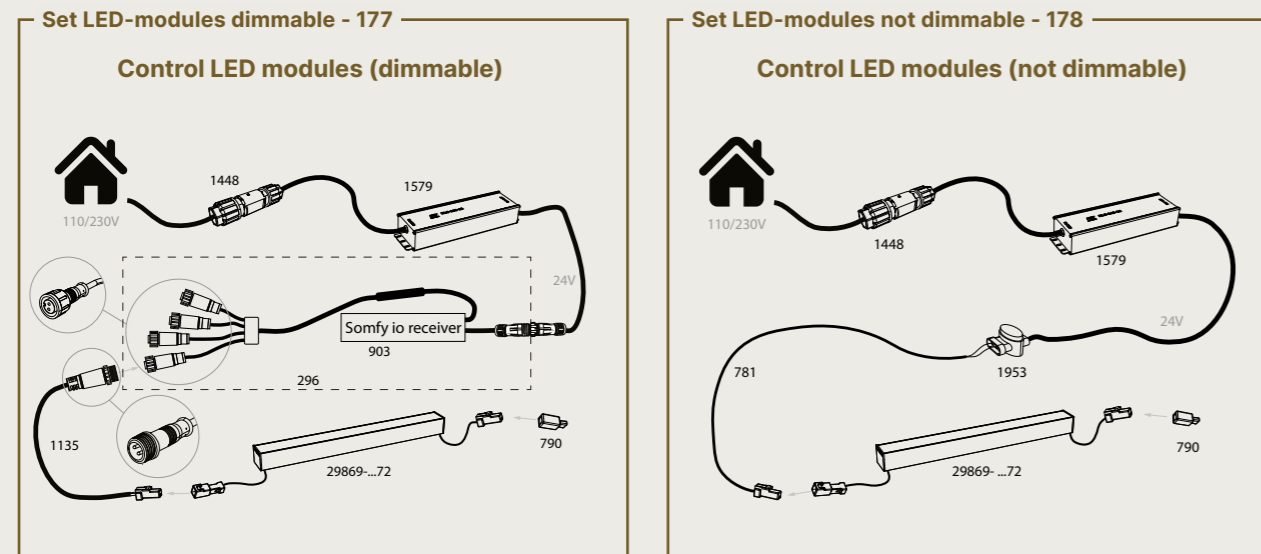
- Personalise your façade by adding LED modules
- Available in warm white light
- Dimmable
- High-quality LEDs with IP67



Technical details

Dimensions	
Available in standard lengths: 267, 455, 830 and 1205 mm	
Material	
Extruded aluminium profile, white powder coated. LED light encapsulated with opal PU resin.	
Mounting	
There are jigs available for this, see page 58	
Specifications	
<p>The LEDs are delivered separately. Two end caps including screws are supplied per LED. The aluminium profile of the LED is always coated white.</p> <p>Each LED module includes 200 mm cable 2 × 0.34 mm² on both sides, one side with Variocon male, other side female (mini) IP67 waterproof connector</p> <p>Max 5 m LED module can be joined in series; if more than that, an extra cable must be run from the power supply to the start of a new string of max. 5 m (this is only for the LED modules, not including cables between the modules (interconnection)).</p> <p>Certifications: CE (Europe), cETL (US & Canada), declaration of conformity</p>	
Features	
Colour temperature [K]	Warm white +/- 3500 K
Number of LEDs	120 LEDs per metre
LED power	6 W per metre
Power per module	
- Module 267:	1.5 W
- Module 455:	2.63 W
- Module 830:	4.88 W
- Module 1205:	7.13 W
Voltage	24 V DC
Light output	370 lumens per metre
Service life	40,000 hours
Dimmable	✓
Ta. max.	40 °C (ambient temperature)
Tc. max.	70 °C (operating temperature)
Ts. max.	85°C (storage temperature)
Guarantee	
Product guarantee	2 years
IP class LEDs	IP 67
Control capabilities	
RTS	✓
io	✓

Connection diagram LED modules



Accessories LED modules

Accessories

Connection cable 0.34 mm² between first LED module (female connector on one side, nothing on the other): 781 (length 2 m)

For the interconnection between two LED modules, **extension cables** of 0.34 mm² are available (with male connector on one side and female connector on the other): 780 (length 2 m)

The last unconnected connector at the end of the LED string must be protected with an IP67 protective cap: 790

Transformers
Power supply XLG-150-24 6.3 A; 150 W; IP67

Control always takes place as follows:

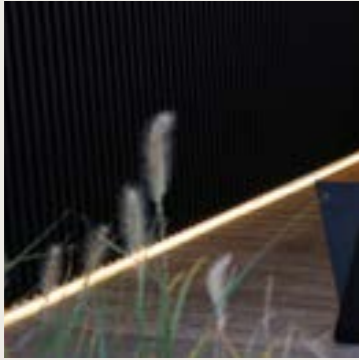
- The LED modules operate on 24 VDC, which requires a transformer. The method of controlling or interrupting the signal (switch, dimmer, home automation) can be freely chosen by the end user.
- A switch can be placed between them and connected in the traditional way as with other lighting points.
- If you want a dimmer, replace the switch with a dimmer and connect it between the 24 VDC of the transformer and the first LED module. Renson® offers a set with a Somfy dimmer, but you can also choose another brand.

Set LED-modules dimmable (177) includes the following parts:

- Somfy i/o dimmer with splitter and waterproof connector 296
- Power supply 150W with 10 m cable and waterproof connector 299
- Conversion cable 1135
- Protection cap; IP67 790

Multiple LED modules can be joined together using a coupling piece.

Indirect lighting



- Accent lighting at the bottom of the façade
- Warm white light
- High-quality IP66 LEDs

Dimensions

6.5 × 11 mm, available in lengths up to 6 m, can be ordered to size up to 50 mm

Mounting

The LED module is installed in the mullion profile.

Specifications

The LED module is supplied separately and is equipped with a connection cable 0.75 mm², length 1 m with JST connector type 02T-WPJV-1-SM. Certifications: CE (Europe), cETL (US & Canada), declaration of conformity

Features

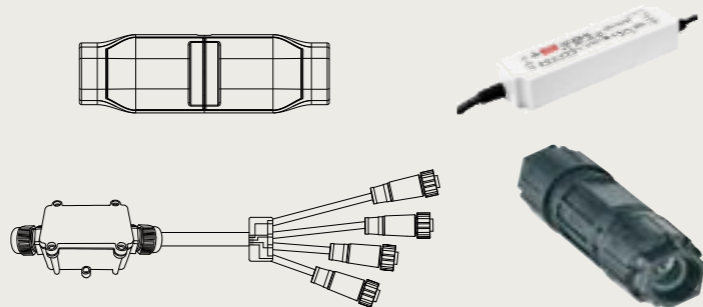
Colour temperature [K]	Warm white: 2700-3000 K
Number of LEDs	120 LEDs per metre
LED power	7.2 W per metre
System power	9.6 W per metre
Voltage	24 V DC
Light output	550 – 680 lumen per metre
Service life	50,000 hours
Dimmable	-
Guarantee	
Product guarantee	2 years
IP class LEDs	IP 66
Control capabilities	
RTS	✓
io	-

Accessories indirect LED

Set indirect LED modules not dimmable - 179

Set with power supply and waterproof connectors, consists out of:

- Quickon connector 1448
- Power supply 150W 1579
- 4-core connector 1130
- Connection cable 1133

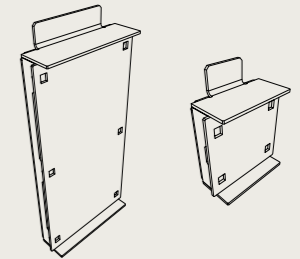




Integration techniques

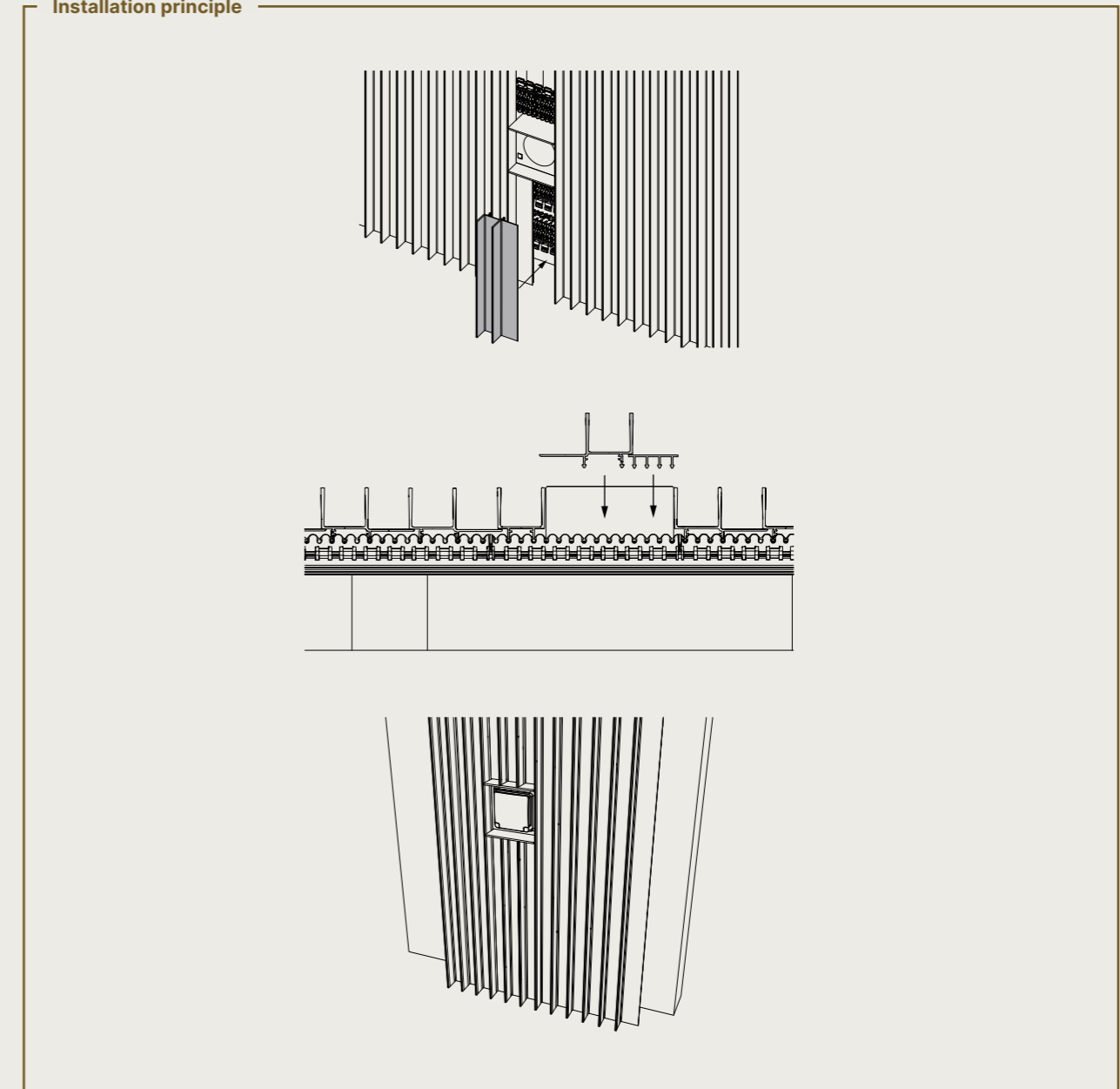
Standard modules have been developed for integrating a doorbell, intercom, socket or water tap. These consist of a housing with a flat plate on which the intercom or the socket can be mounted. Since the back of these is not incorporated into a wall, they must be protected against moisture.

Technical details	
Height	The width and depth of the modules vary depending on the basic profile used: EVEN, BLOCK 16, BLOCK 25 or CONE. The dimensions can be found in the table below.
Material	Aluminium 6061, powder coated in the colour of the façade cladding



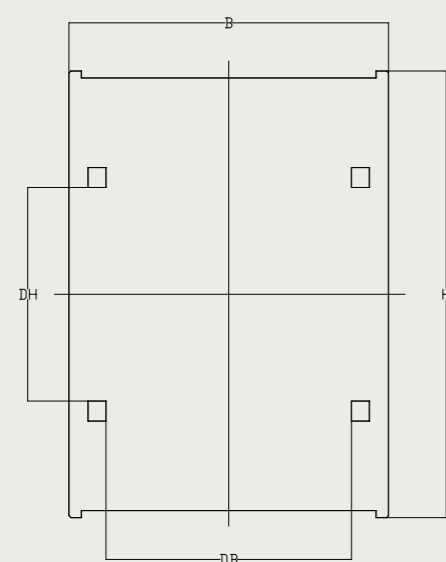
Module with blind plate

Installation principle



Technical drawings modules

Blind plate



	Type	W	H	DB	PH
Intercom	LA.B16.PB BLOCK 16				
	LA.B25.PB BLOCK 25	161	224	123	107
	LA.E25.PB EVEN				
Power socket	LA.B16.SB BLOCK 16				
	LA.B25.SB BLOCK 25	101	103	63	50
	LA.E25.SB EVEN				



VERTICAL DESIGN

Garden elements

To integrate the unique look and feel of your façade cladding throughout your entire garden, Renson has created the Linarte garden elements. Please refer to B2B brochure garden elements for more details.

Linarte Modulo

Bench and planter in Linarte EVEN or BLOCK 25.



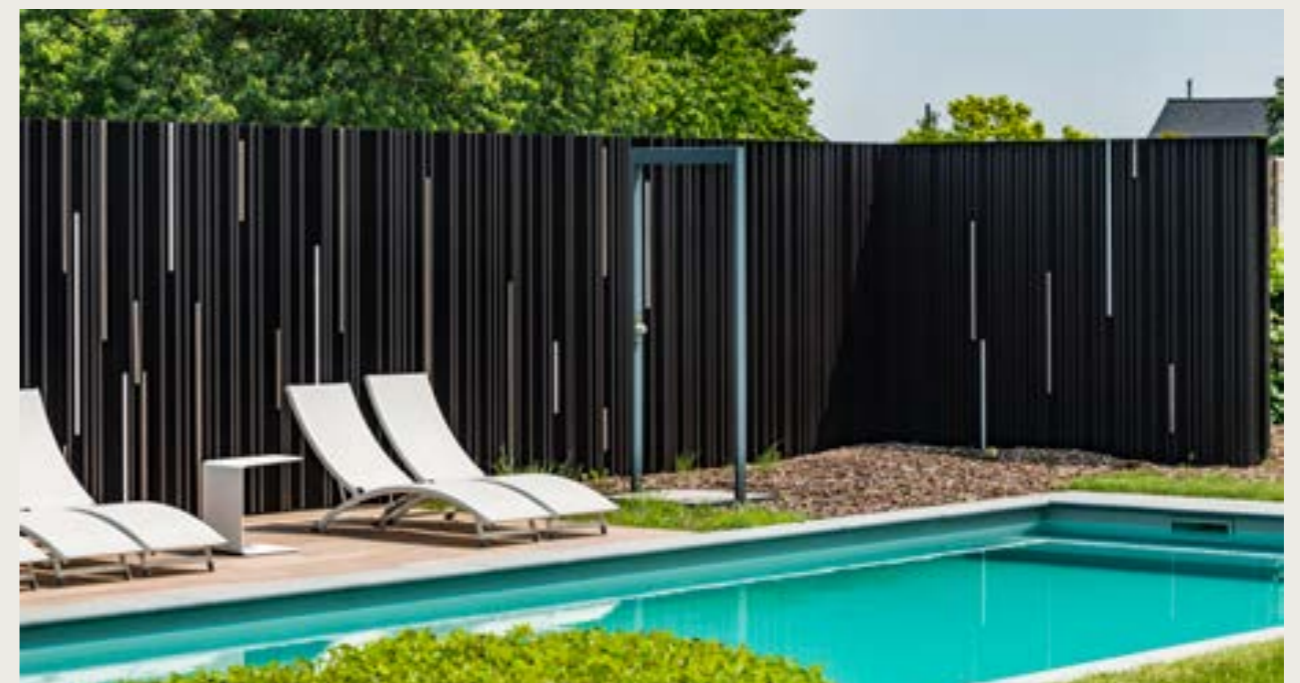
Linarte Outdoor Light

Lighting posts in EVEN look, with or without a power socket.



Linarte Icon

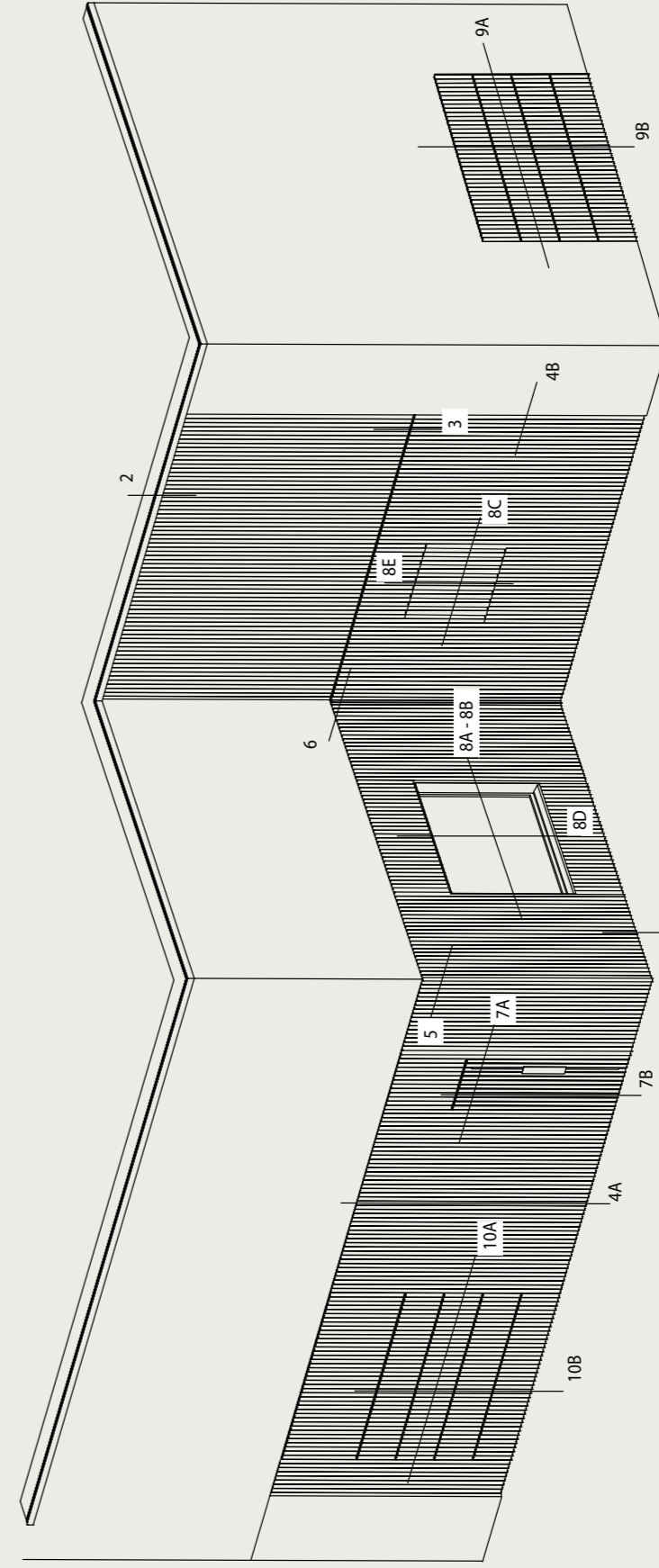
Linarte Icon lets you add partitions or privacy walls in your garden and create a unique and uniform Total Outdoor Concept.



ARCHITECTURAL DRAWINGS



Linarte

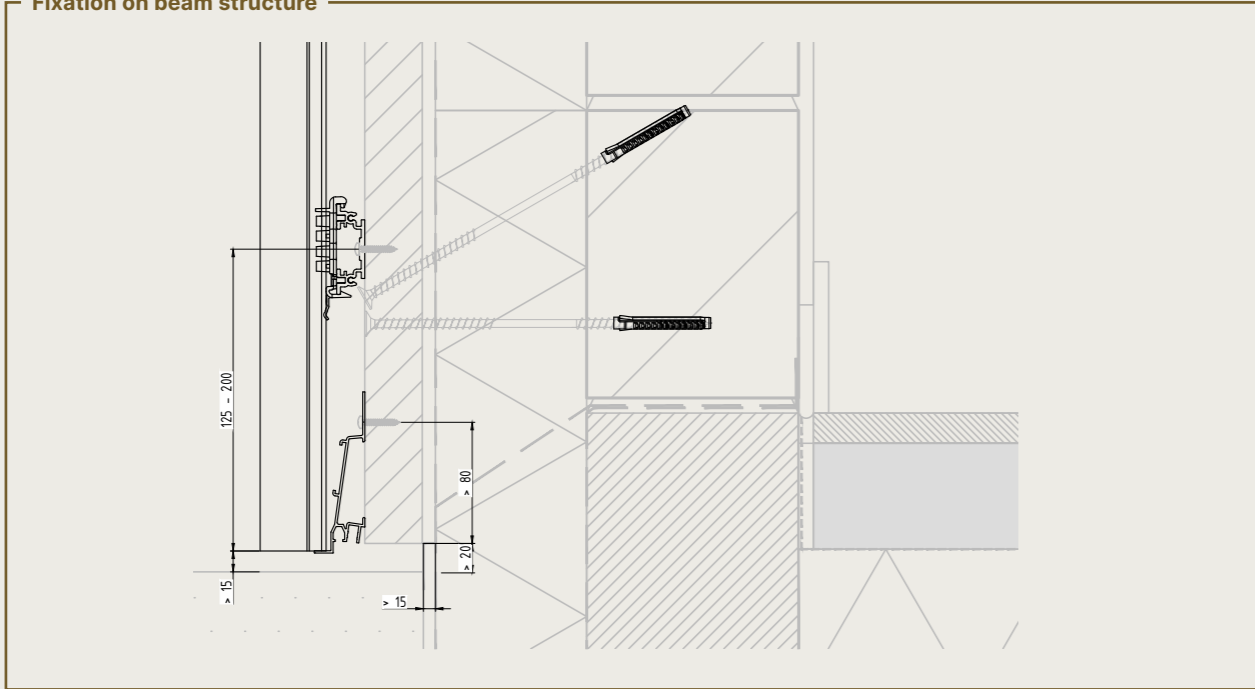


- 1ABC. Underside cladding (with plinth/with threshold) –side view
- 2. Finishing roof border –side view
- 3. Horizontal joint –side view
- 4A. Wall connection –side view
- 4B. Wall connection –top view
- 5. Outer corners –top view
- 6. Inner corners –top view
- 7A. Door trim –top view
- 7B. Door trim –side view
- 8A. Window trim side –top view
- 8B. Window in façade surface –top view
- 8C. Window trim semi-open cladding –top view
- 8D. Window trim top –side view
- 8E. Window trim semi-open cladding –side view
- 9A. Sectional garage door between other cladding –side view
- 9B. Sectional garage door between other cladding –top view
- 10A. Sectional garage door continuous façade cladding –top view
- 10B. Sectional garage door –side view

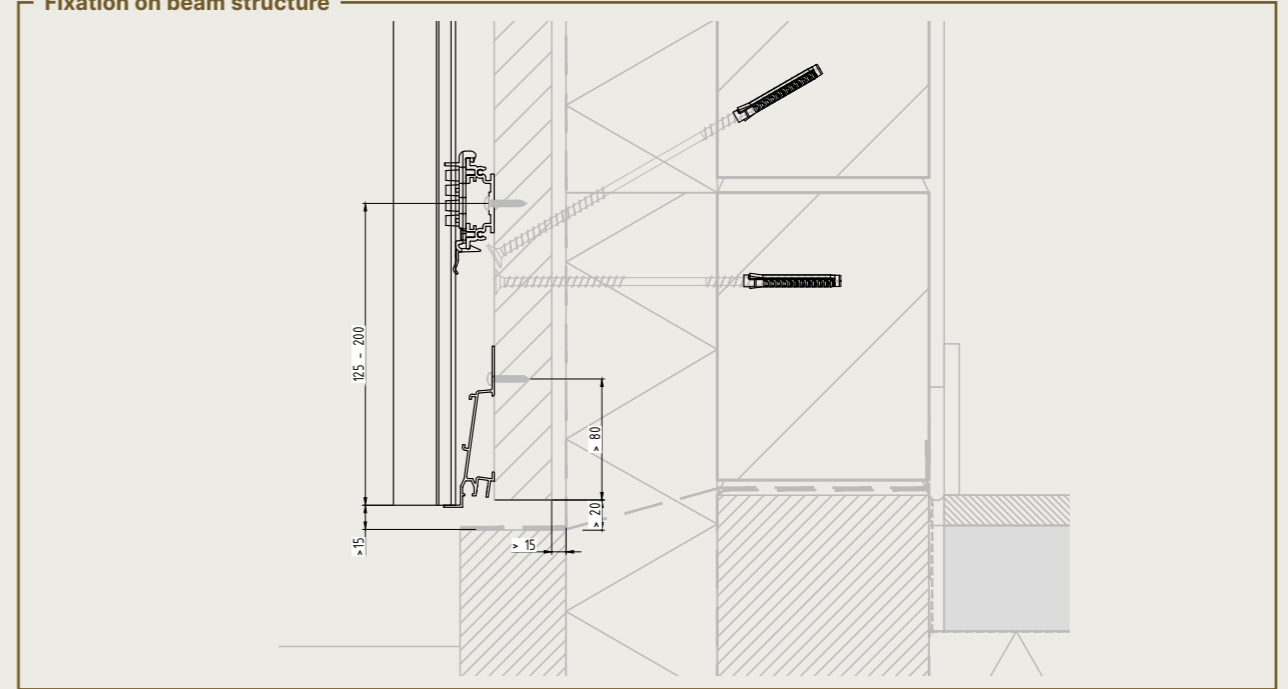
1A. Underside cladding

1B. Underside cladding with plinth

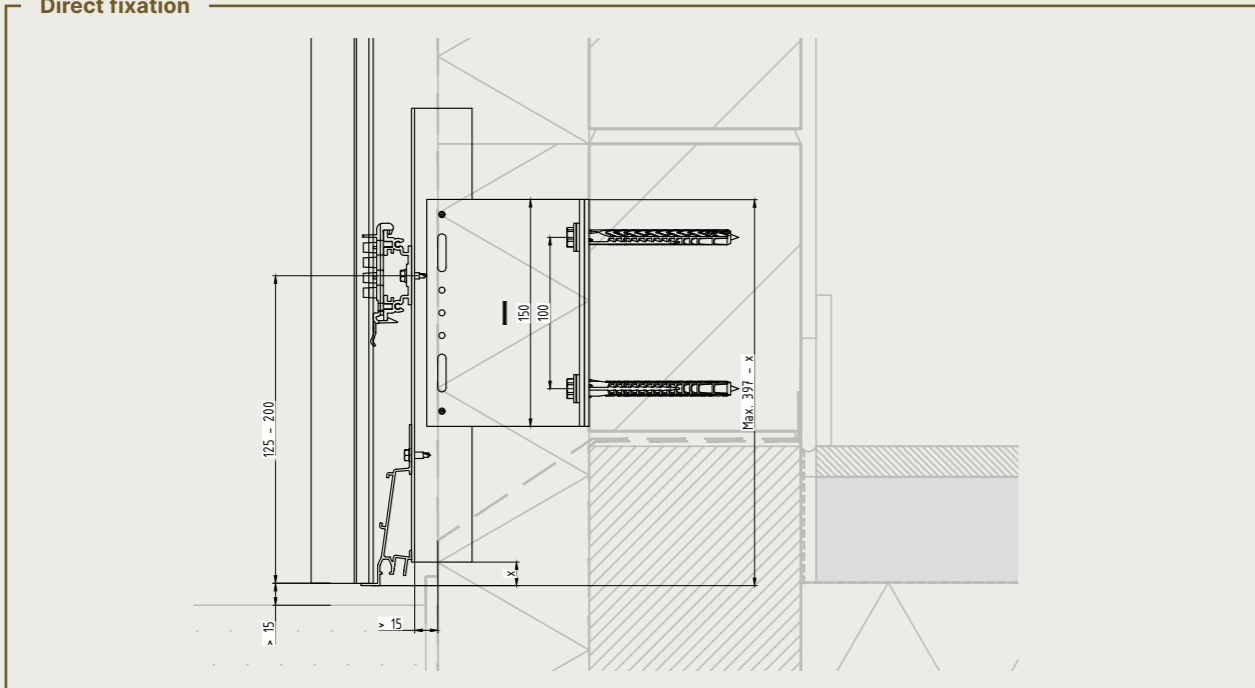
Fixation on beam structure



Fixation on beam structure

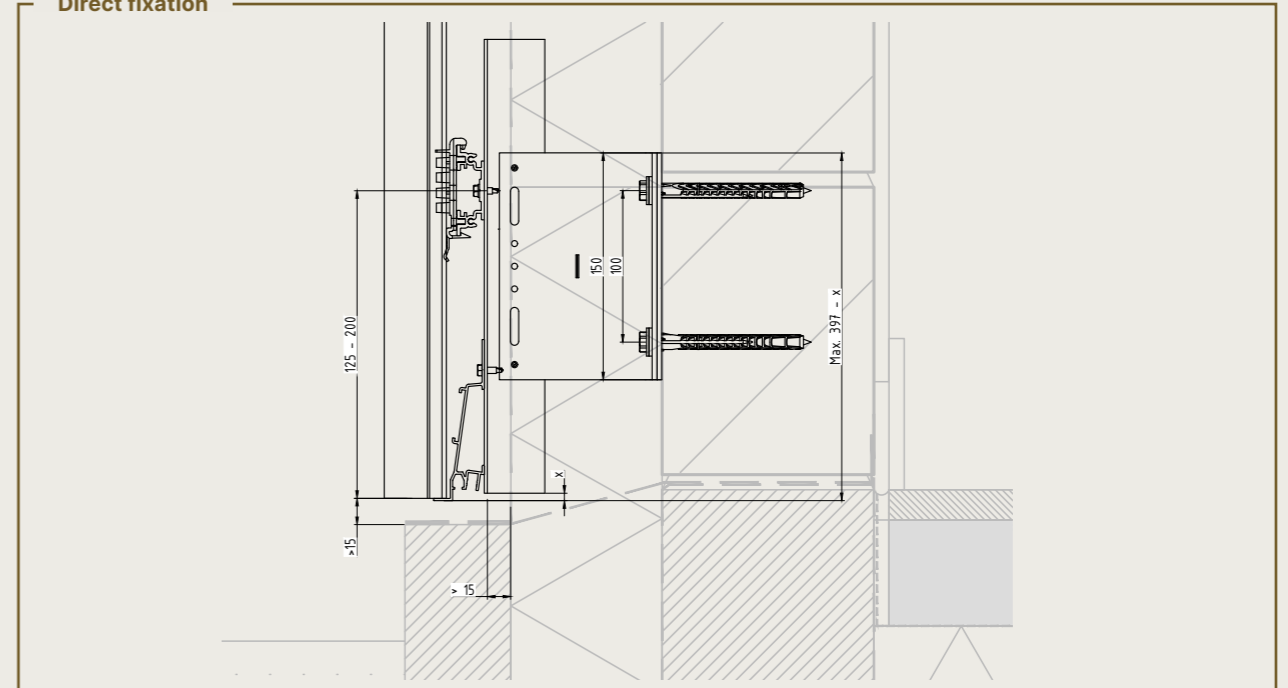


Direct fixation



See legend on page 103

Direct fixation

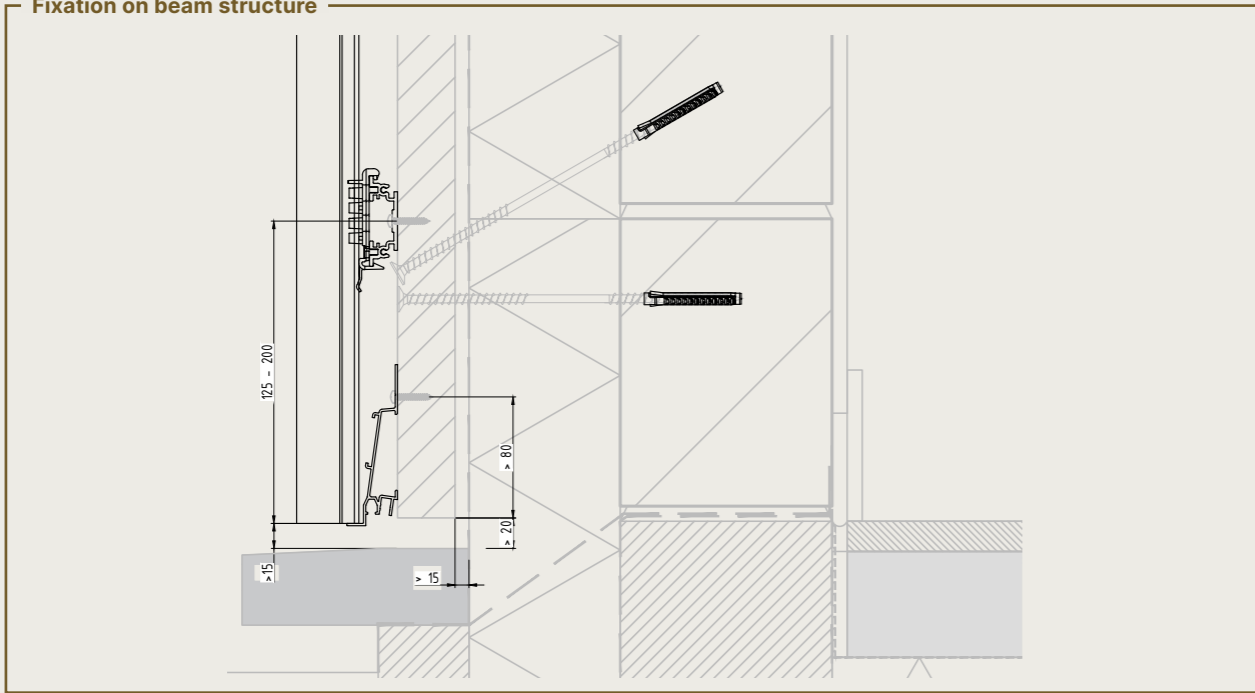


See legend on page 103

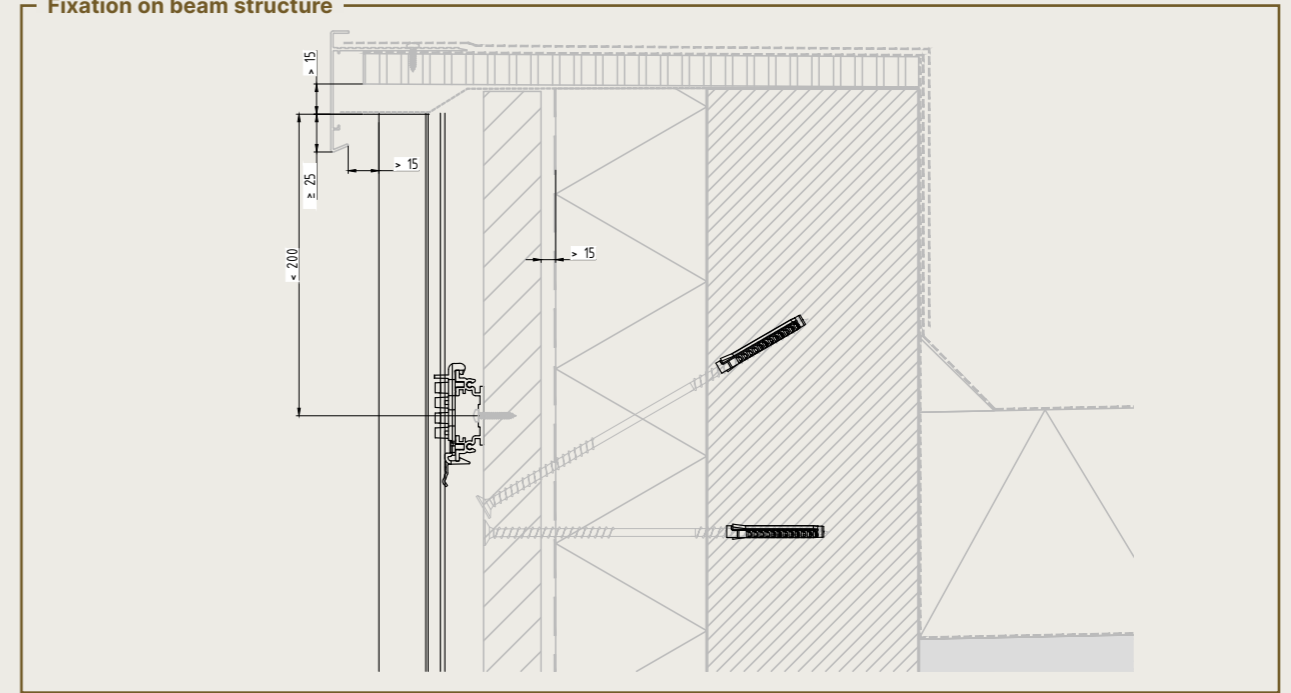
1C. Underside cladding with threshold

2. Roof edge finishing

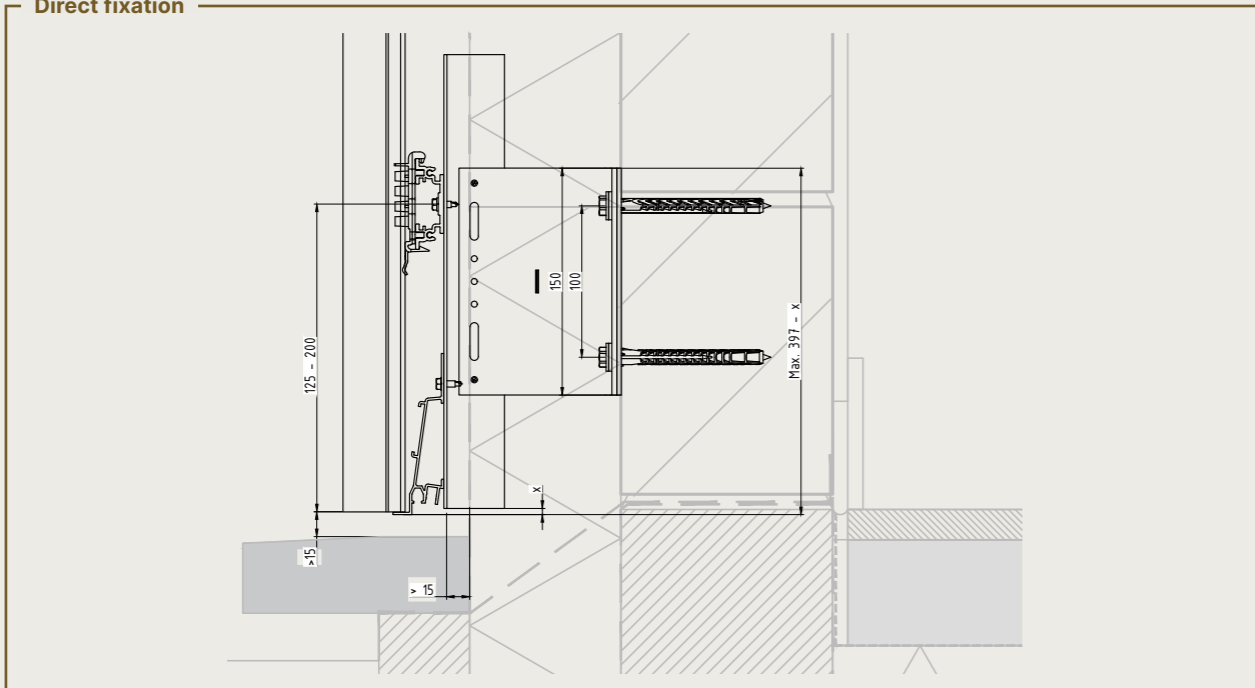
Fixation on beam structure



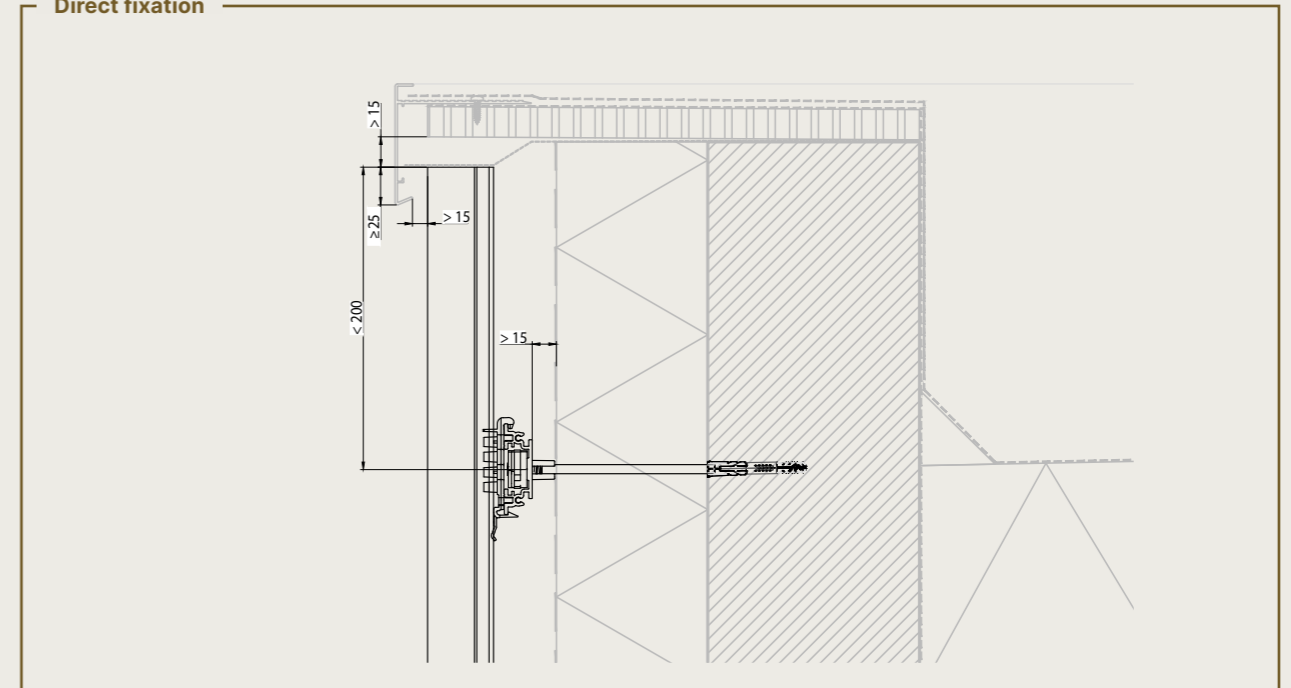
Fixation on beam structure



Direct fixation



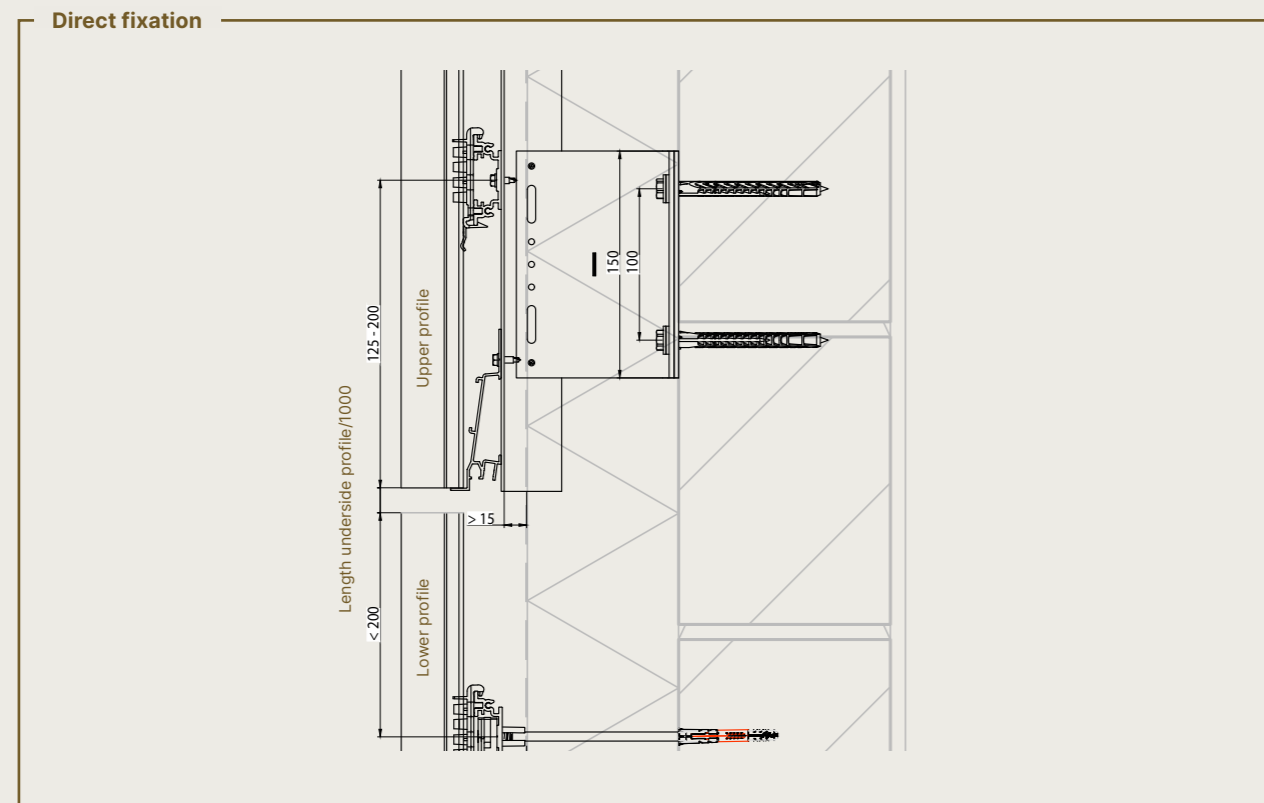
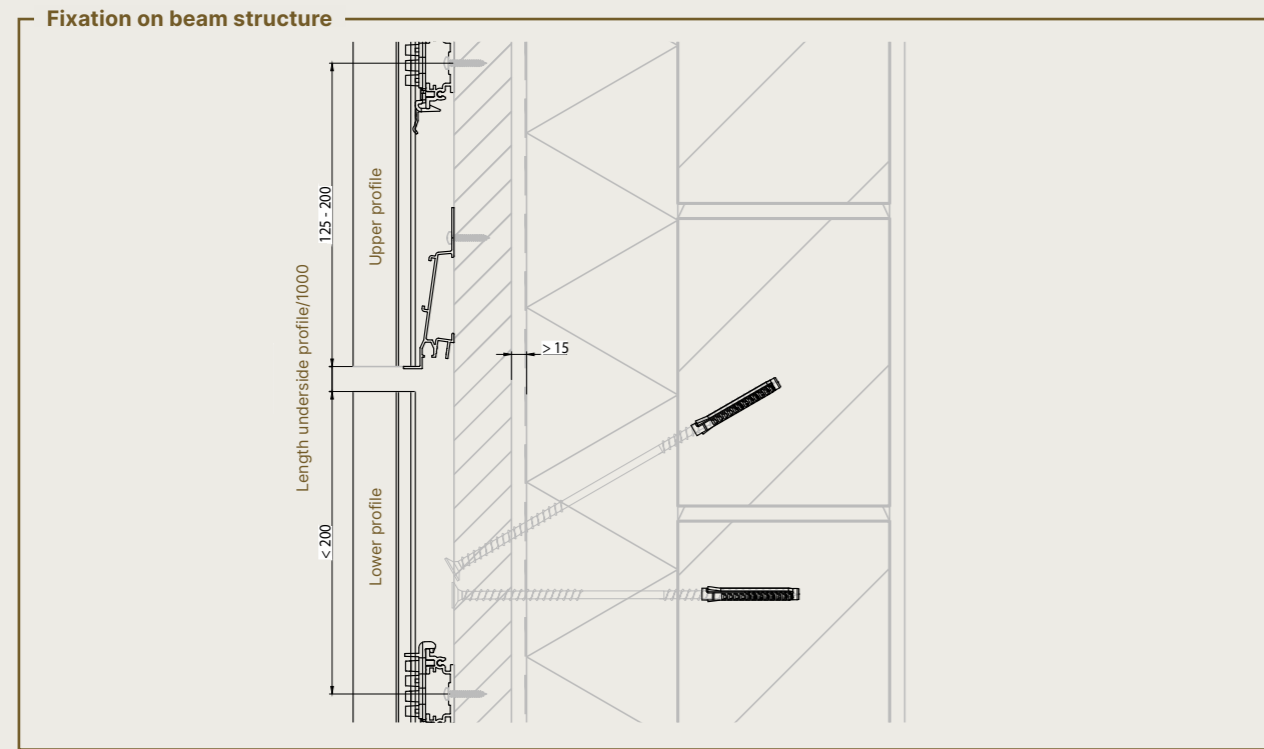
Direct fixation



See legend on page 103

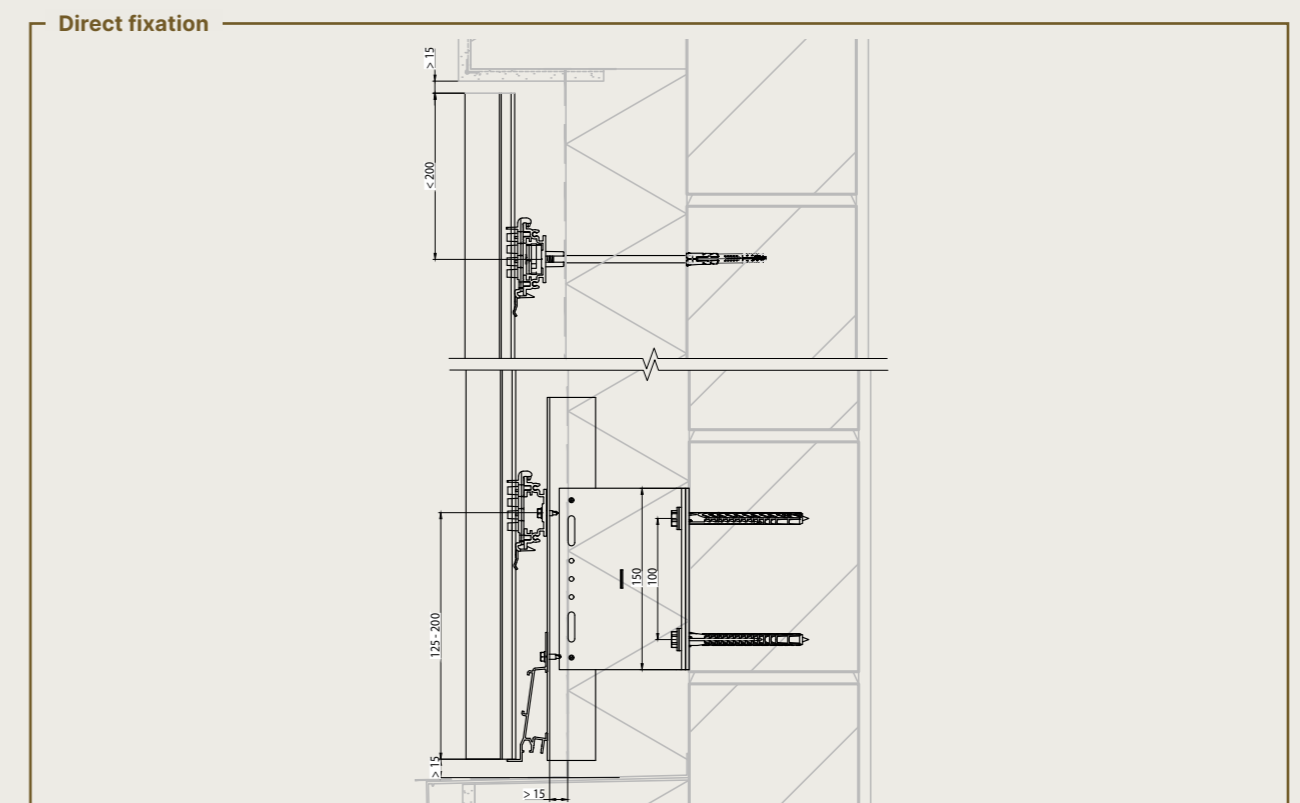
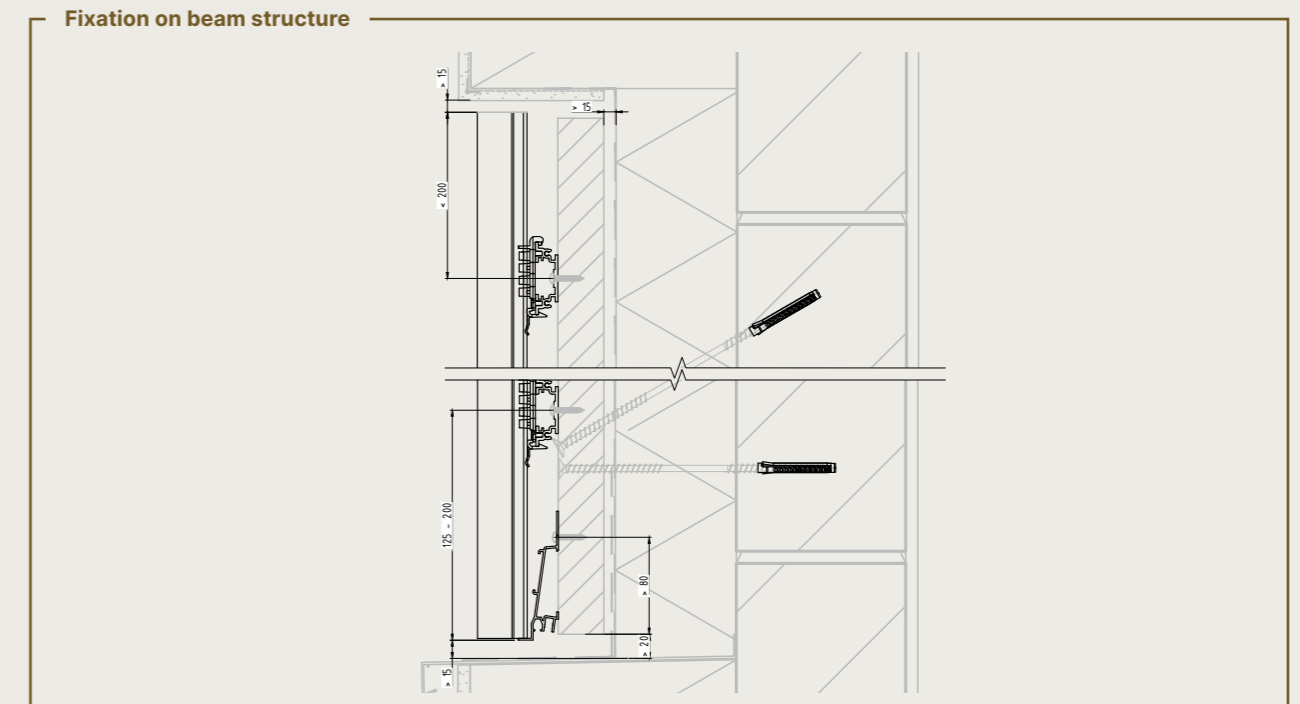
See legend on page 103

3. Horizontal joint



See legend on page 103

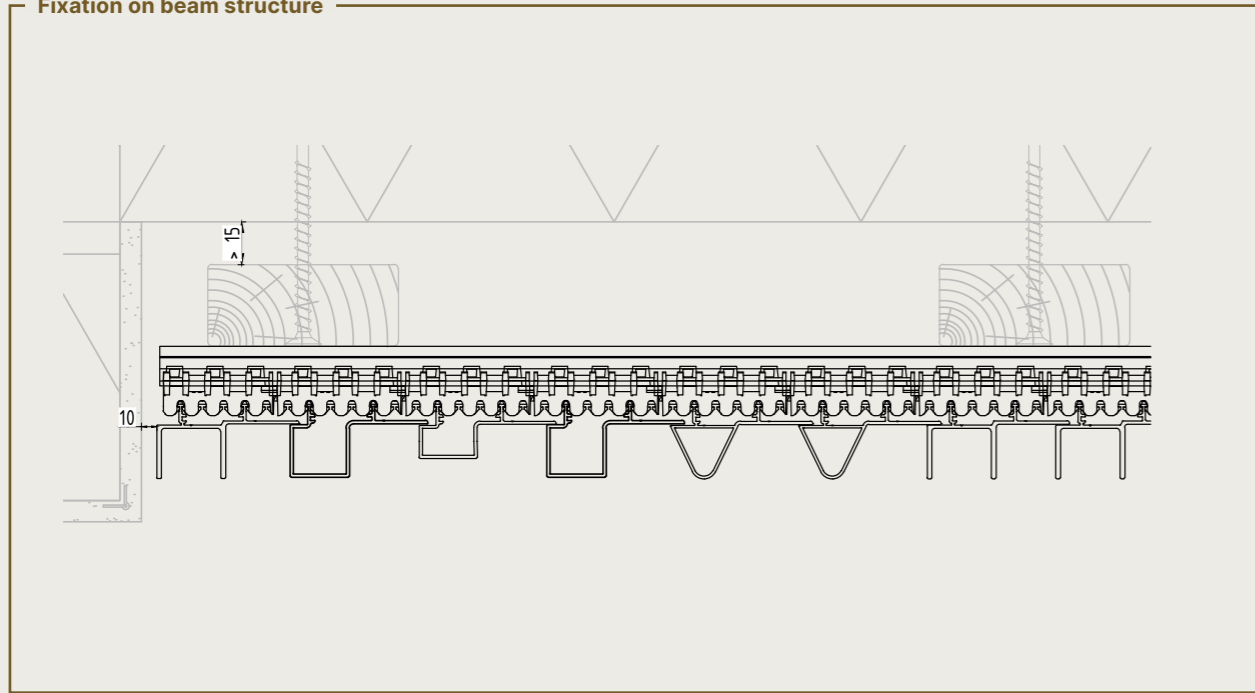
4A. Wall connection



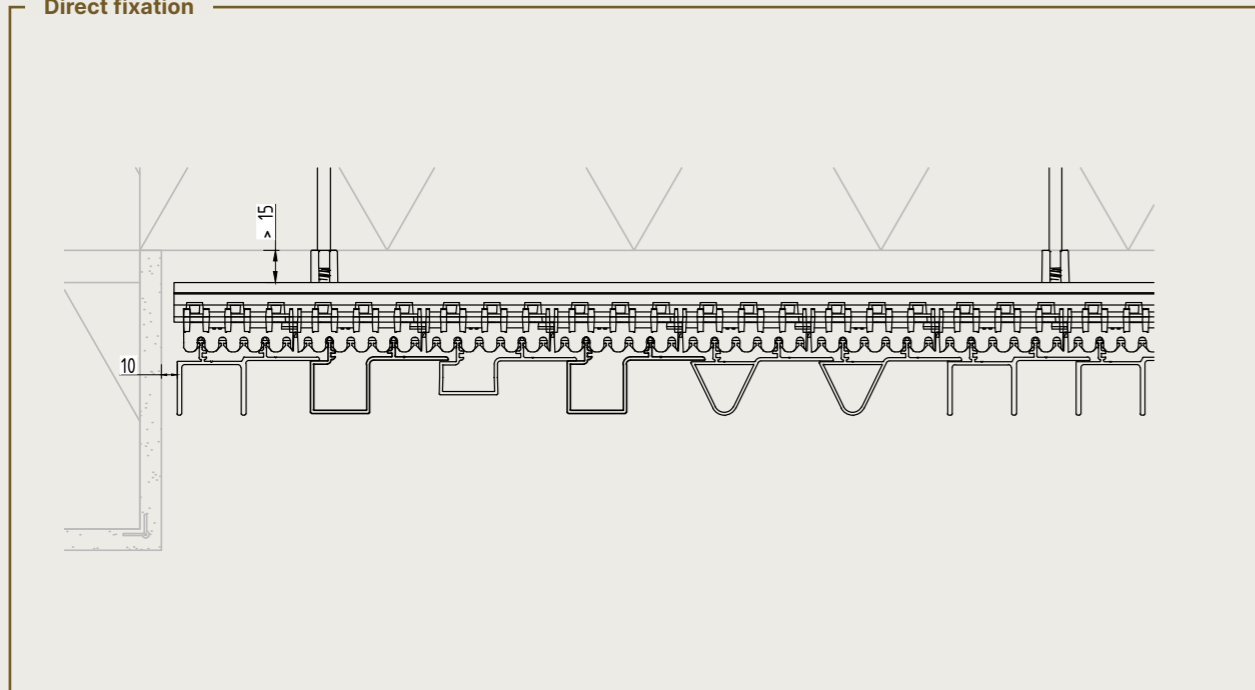
See legend on page 103

4B. Wall connection

Fixation on beam structure



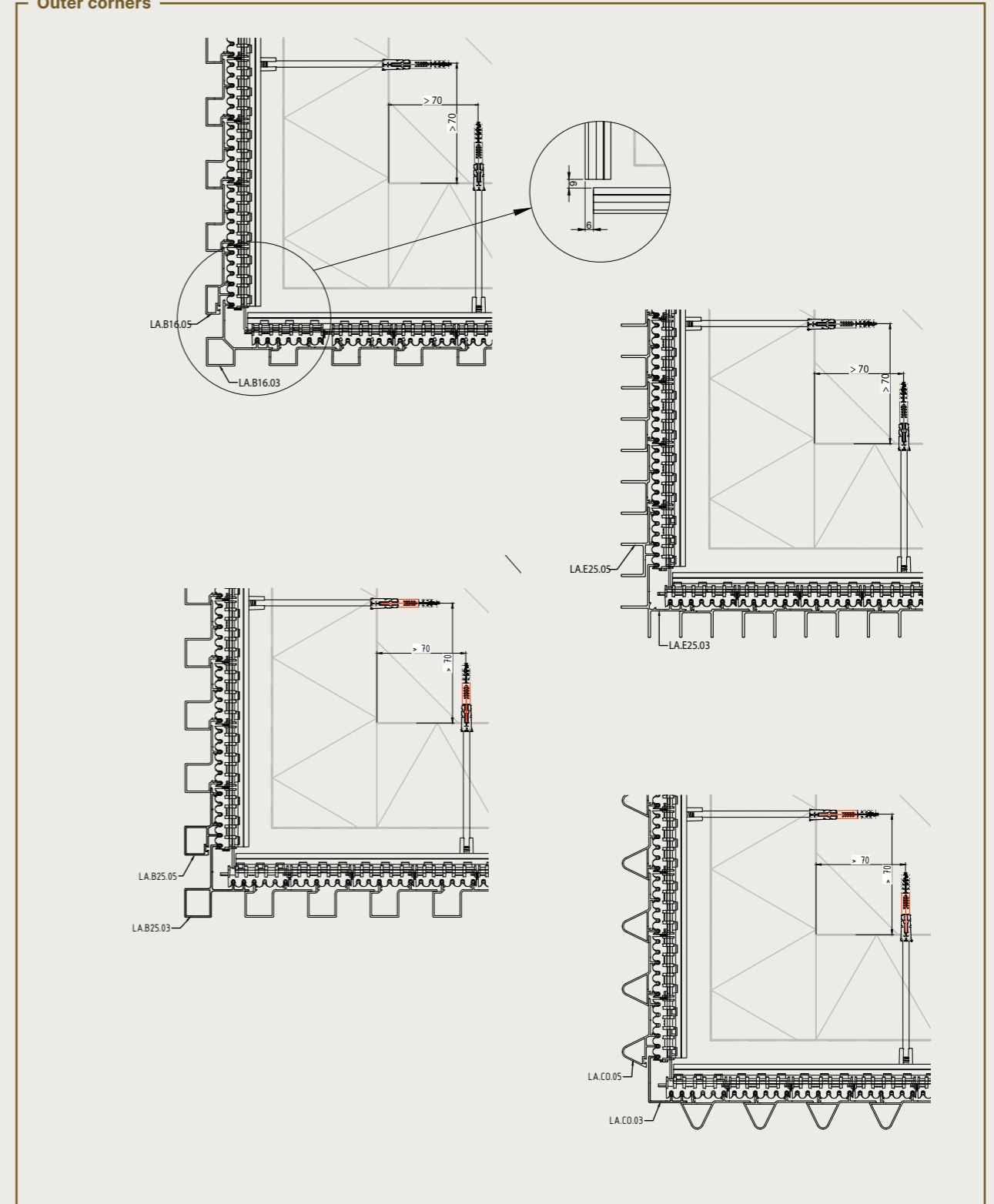
Direct fixation



See legend on page 103

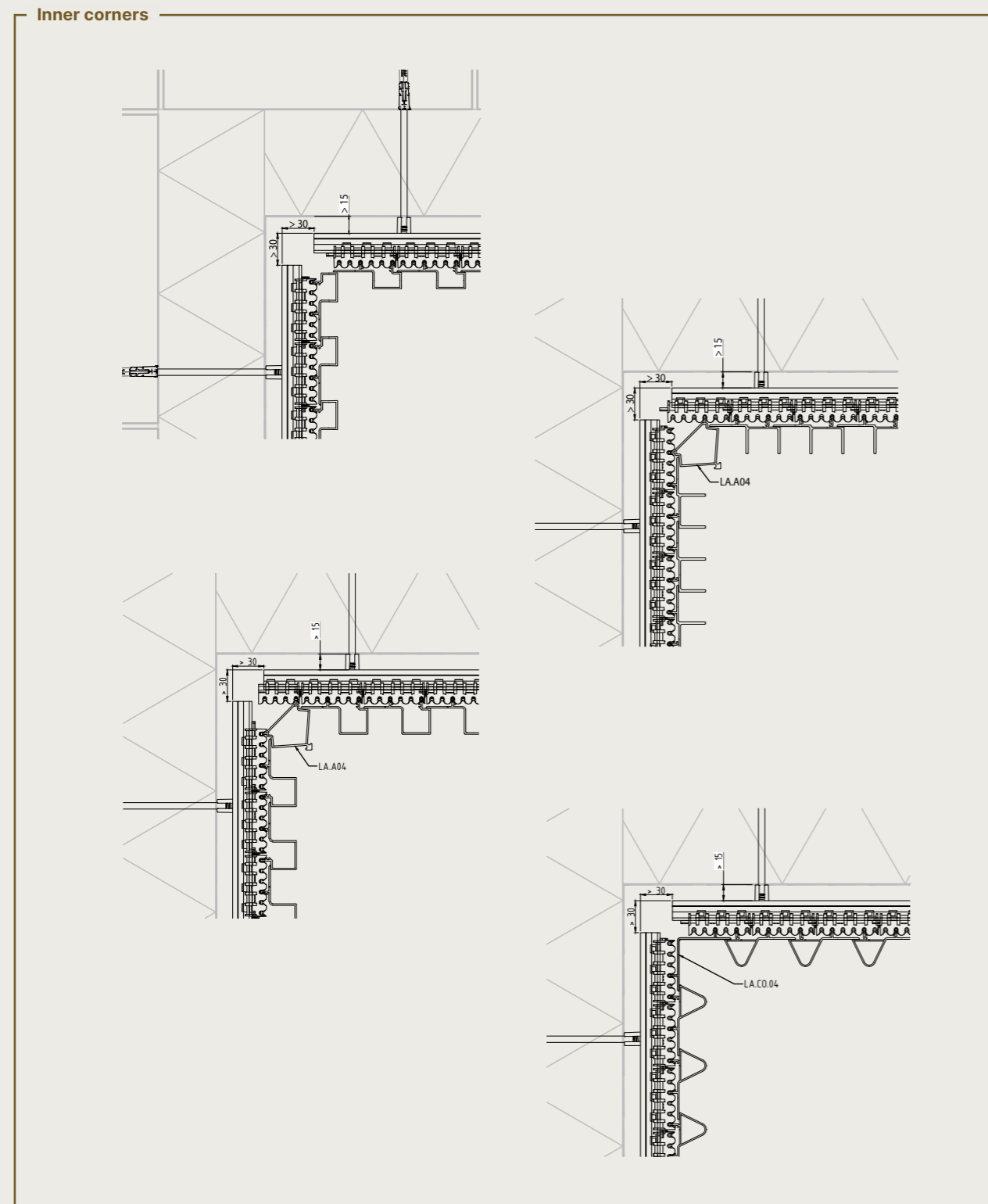
5. Outer corners

Outer corners



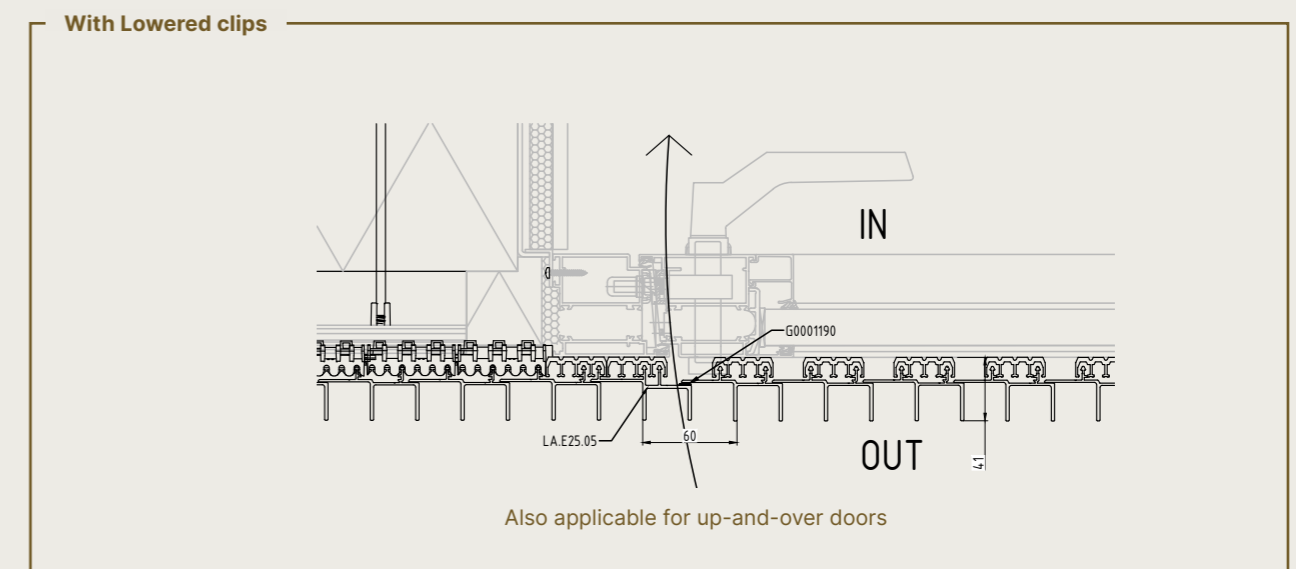
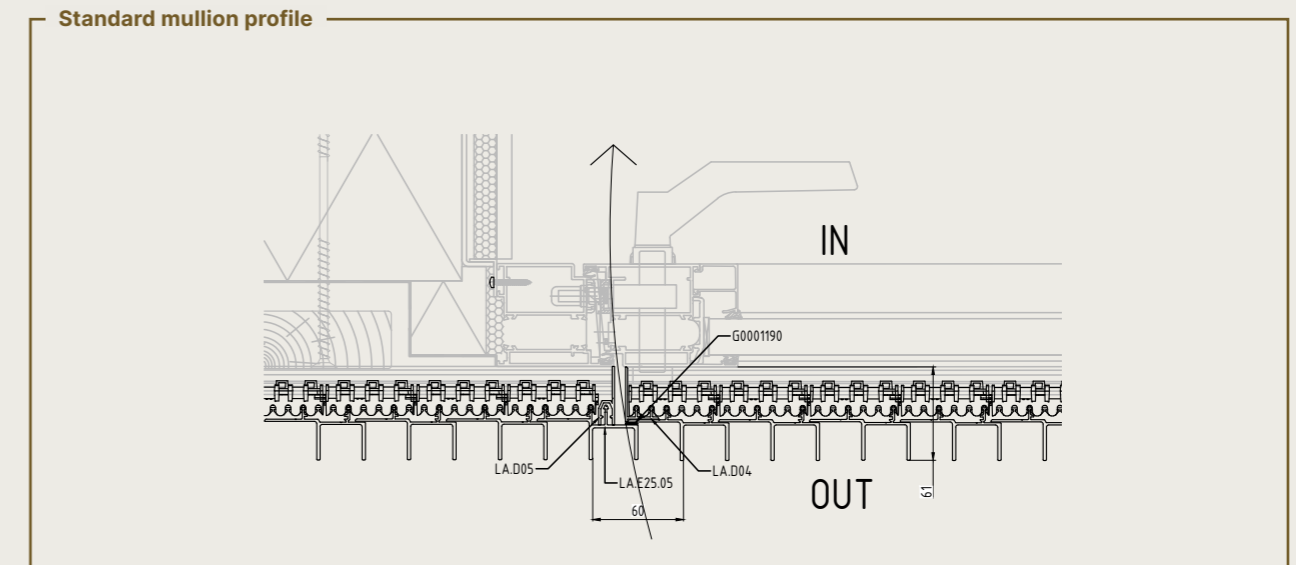
See legend on page 103

6. Inner corners



See legend on page 103

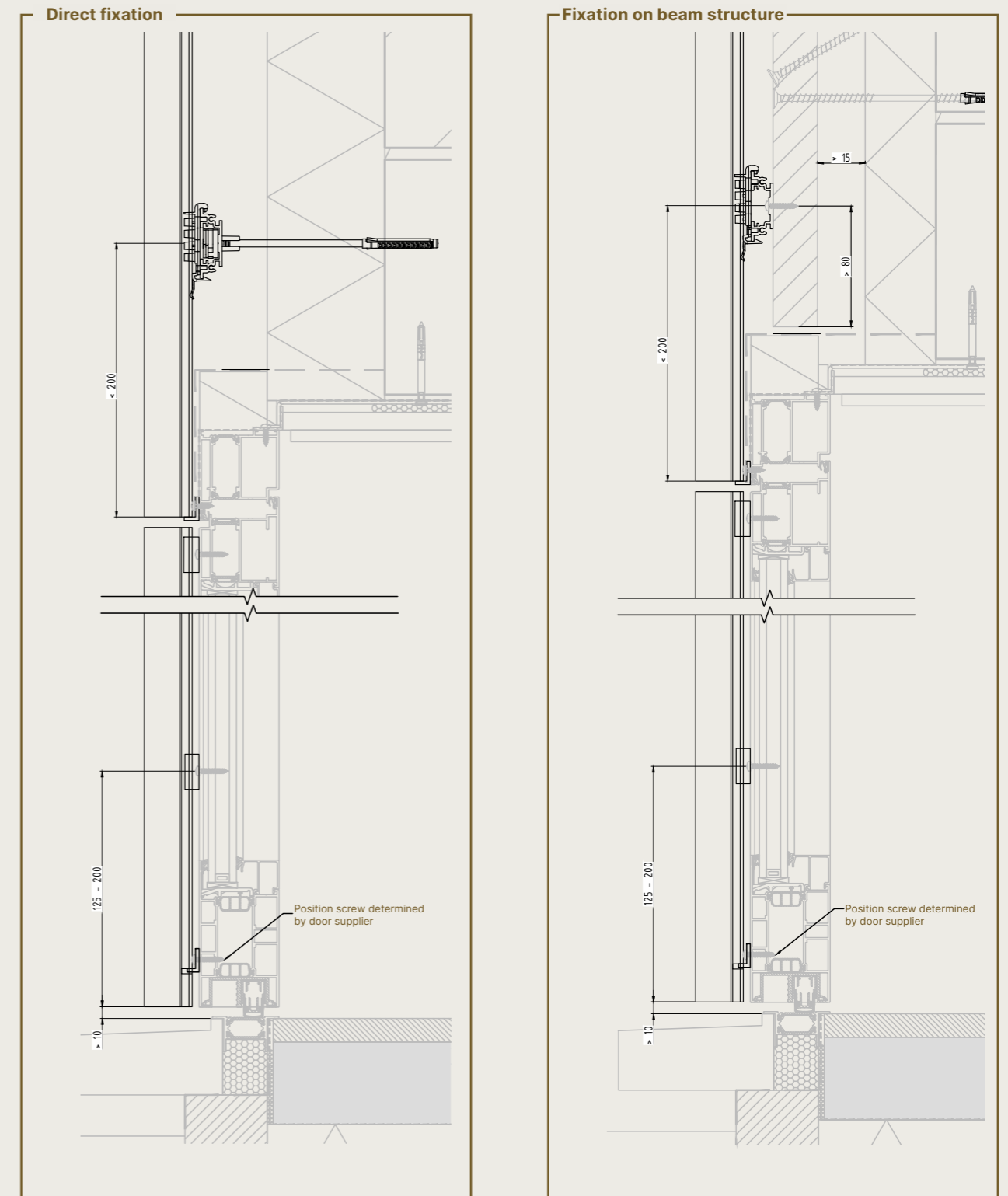
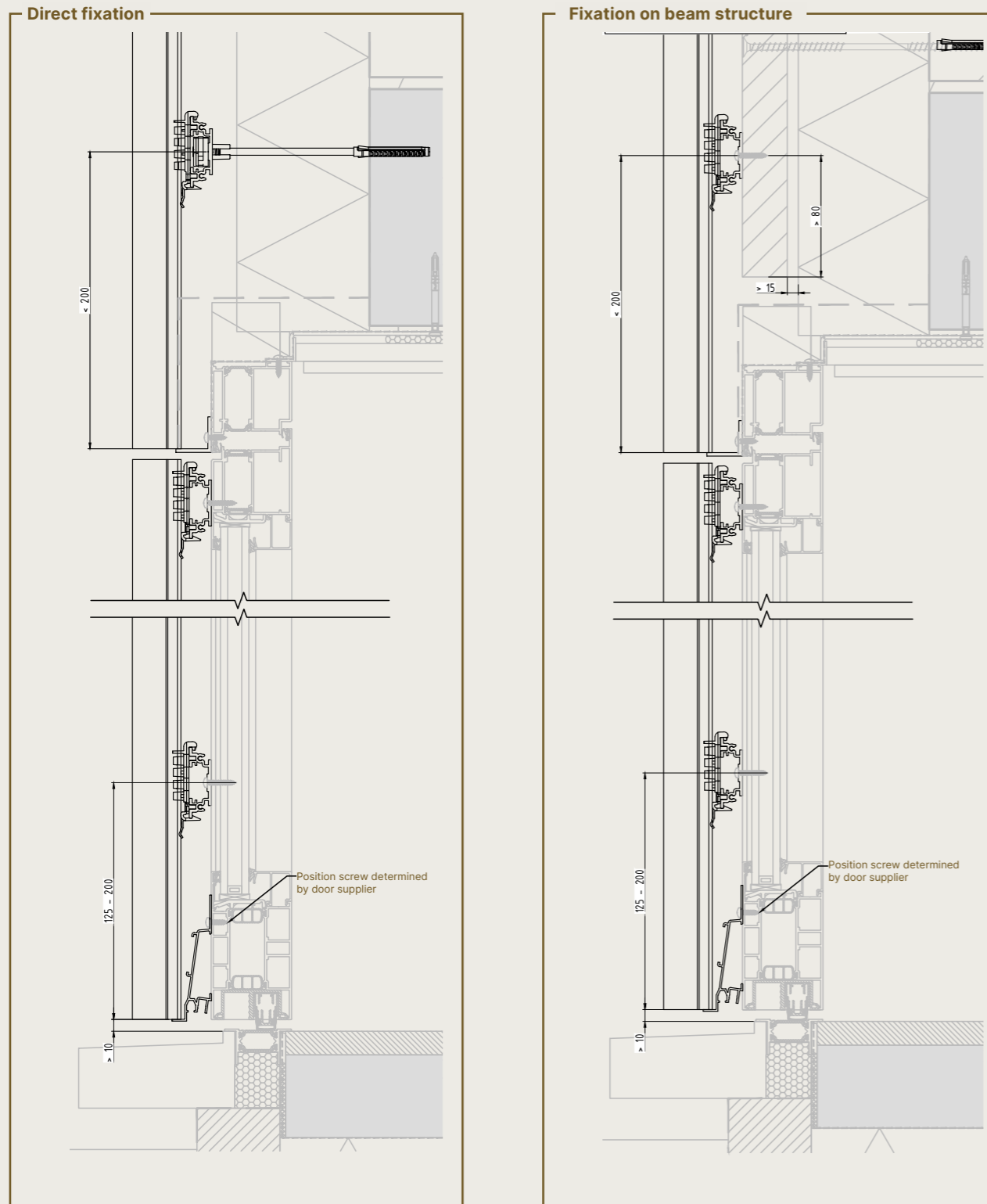
7A. Door cladding



See legend on page 103

7B. Door cladding with standard mullion profile

7B. Door trim with lowered clips

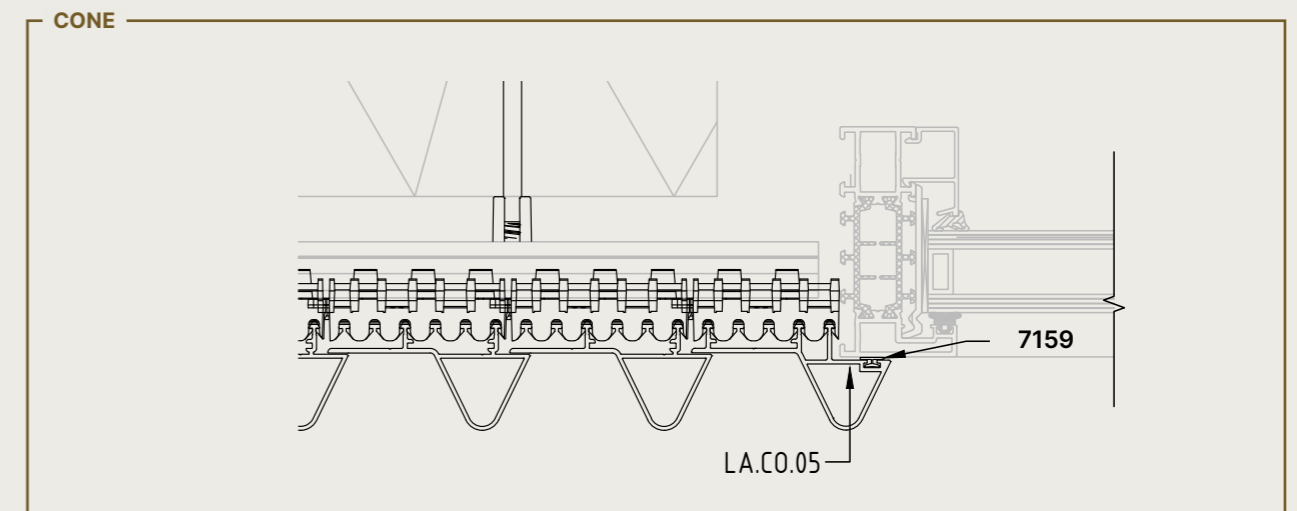
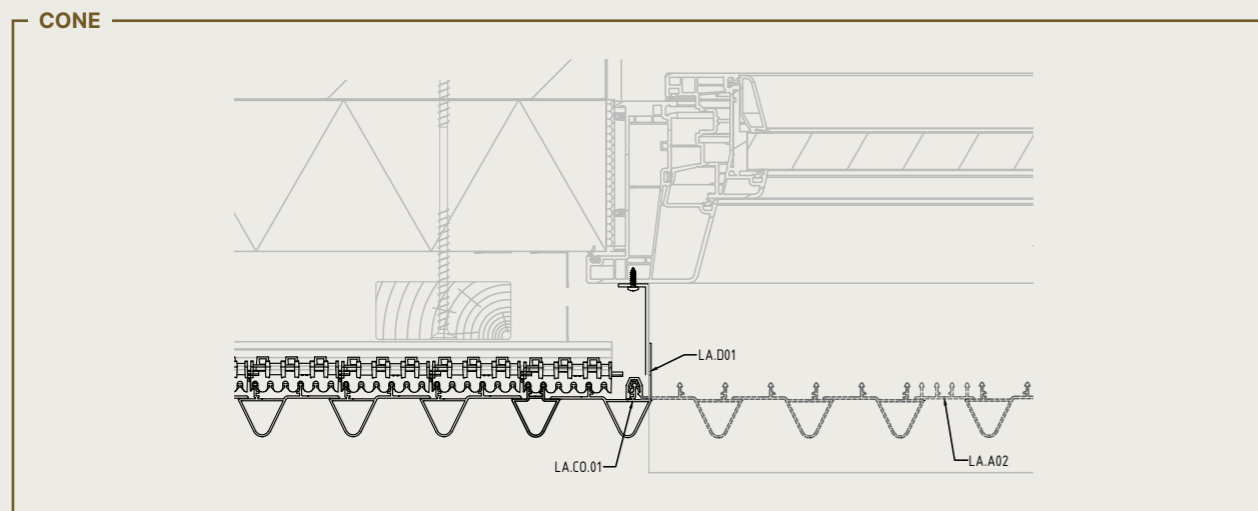
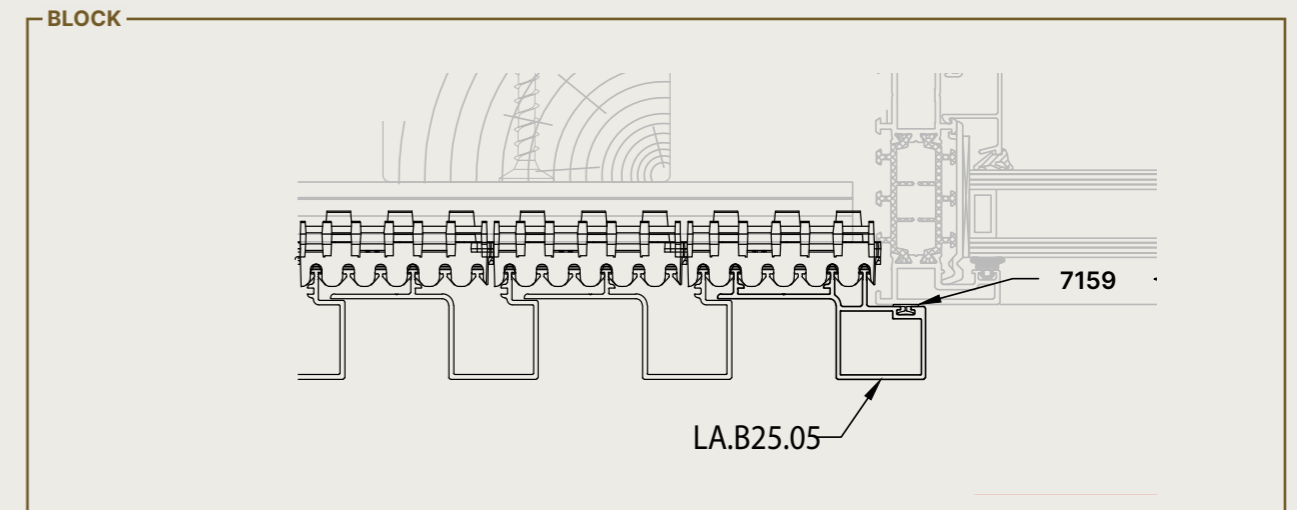
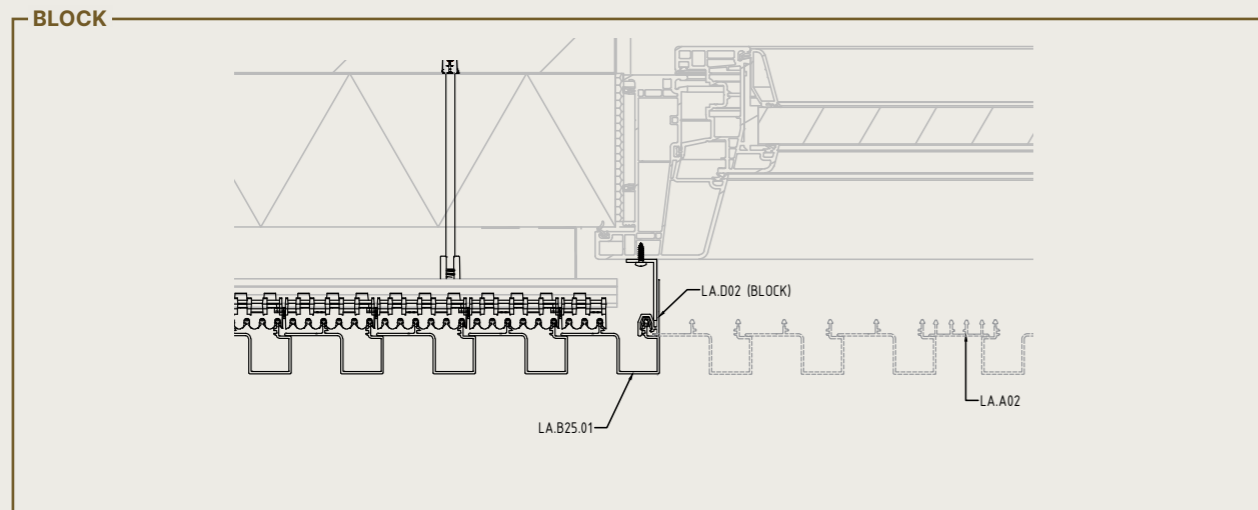
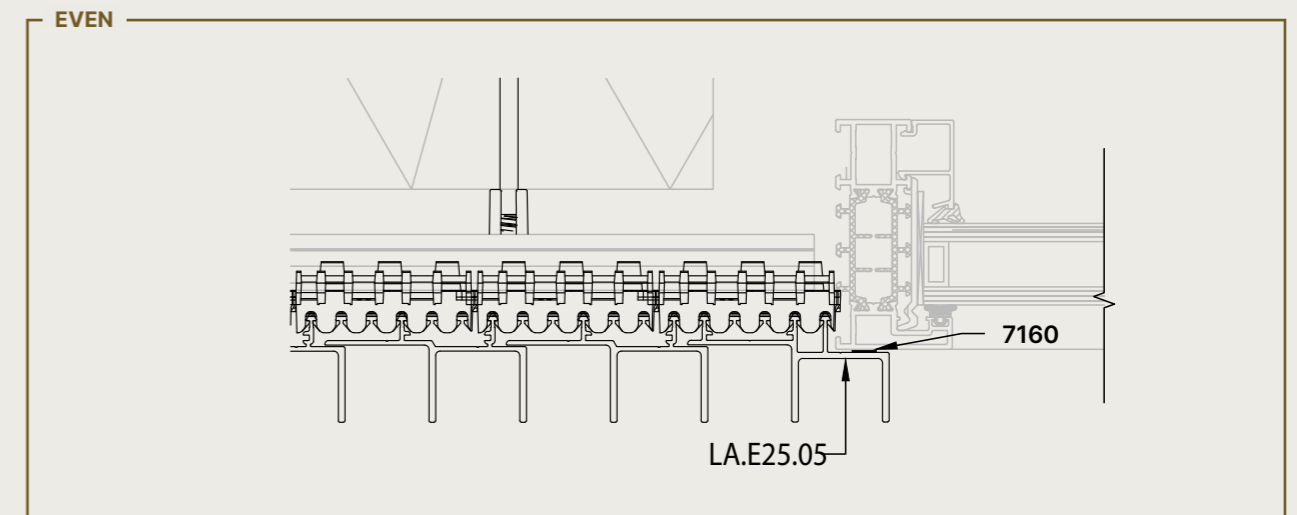
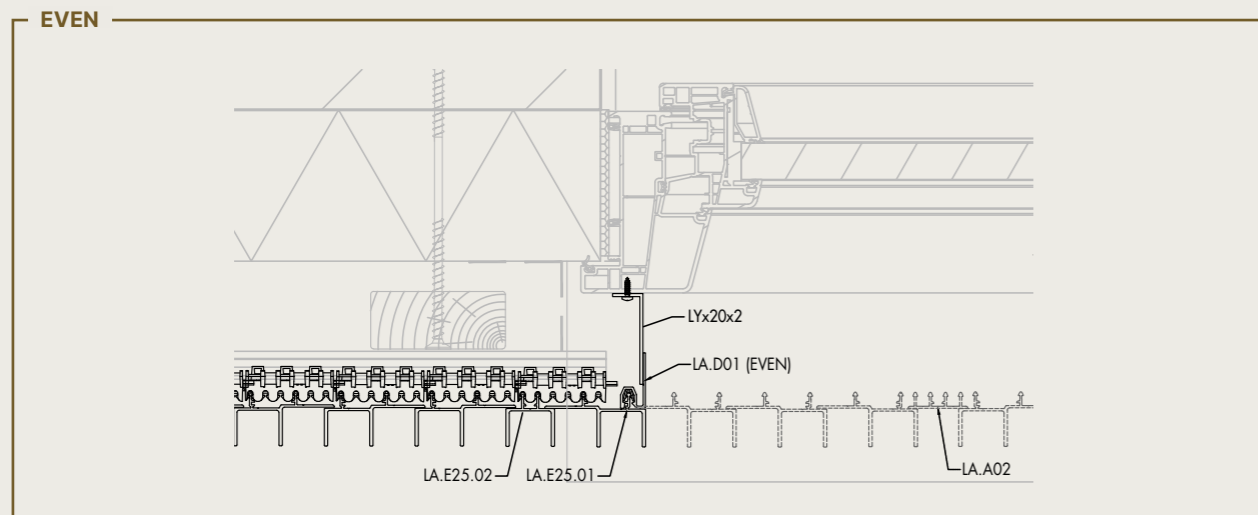


See legend on page 103

See legend on page 103

8A. Window finishing

8B. Window in façade surface

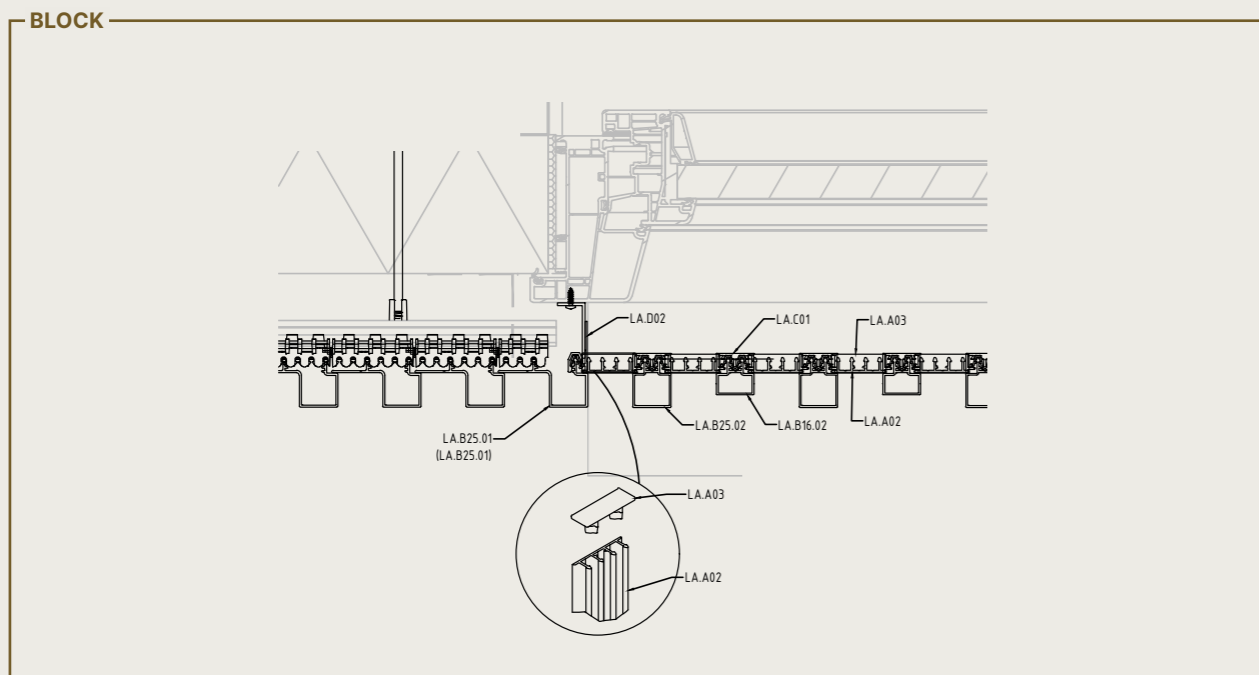
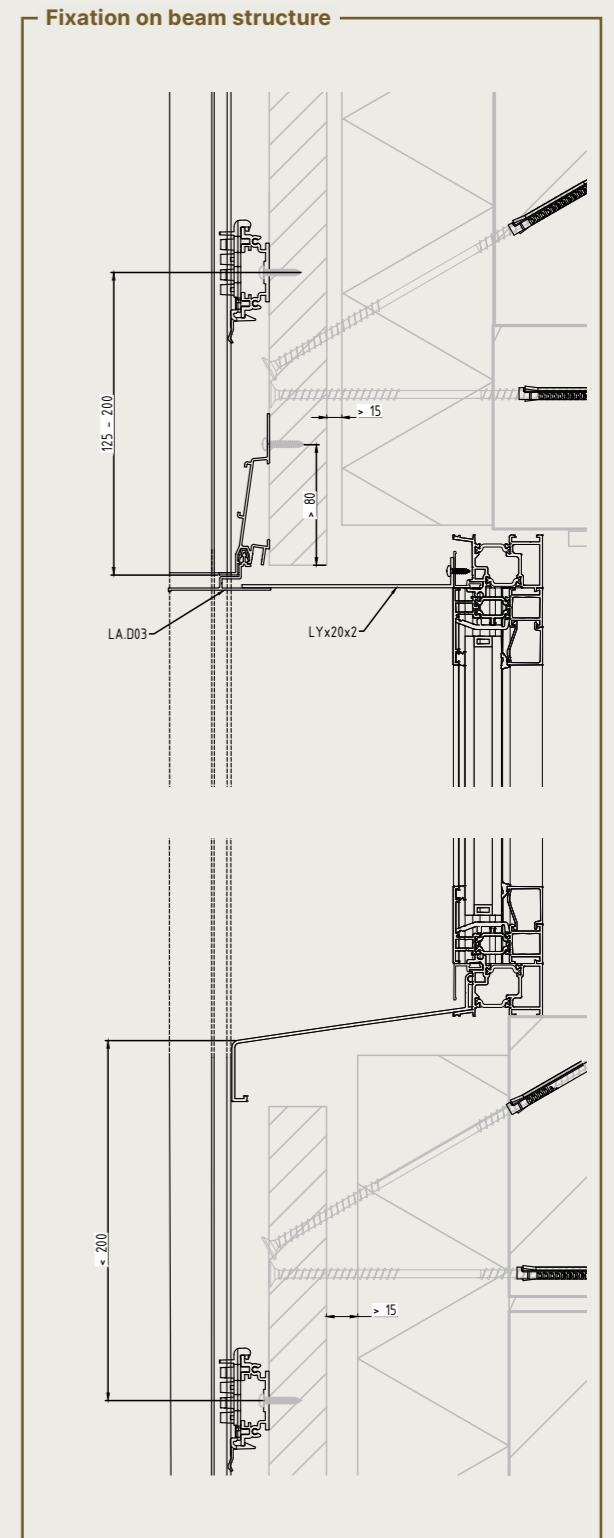
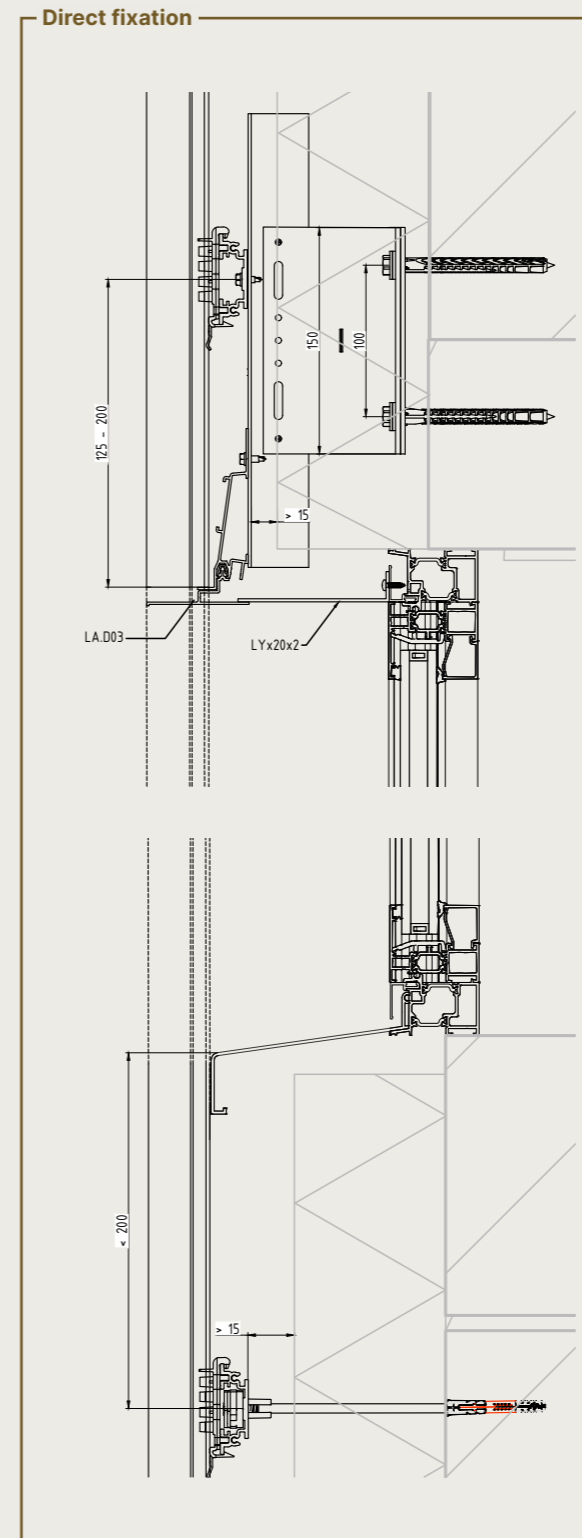
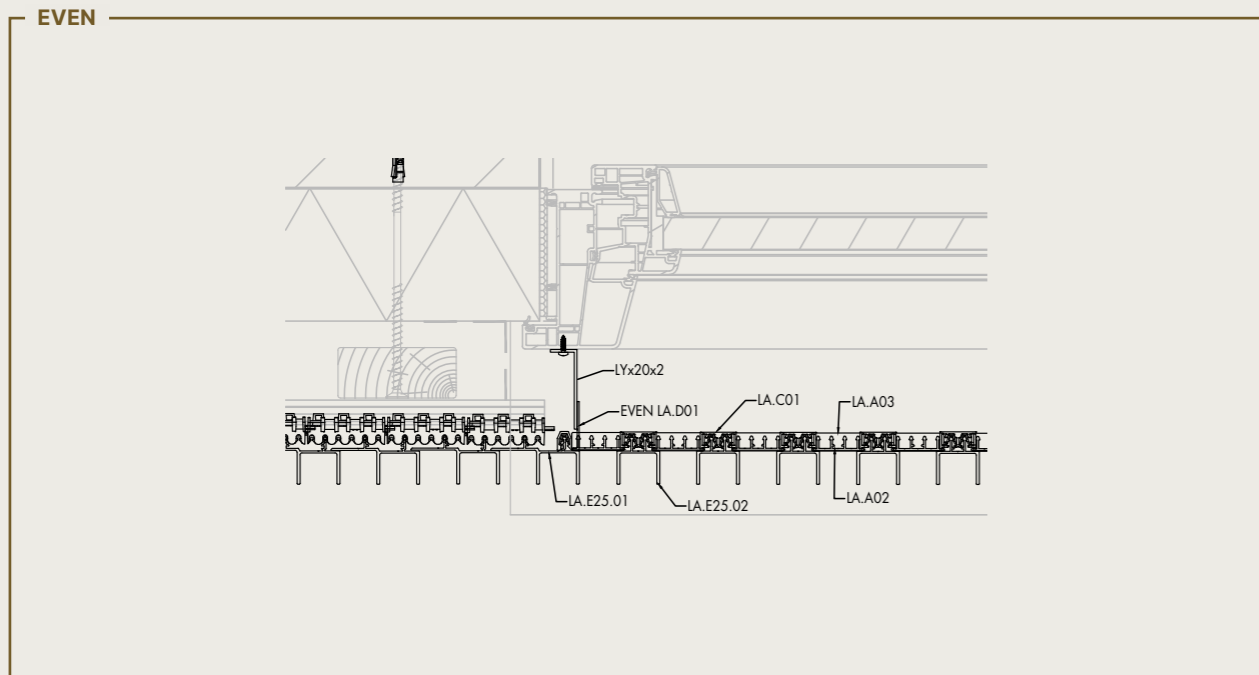


See legend on page 103

See legend on page 103

8C. Semi-open cladding

8D. Window finish top

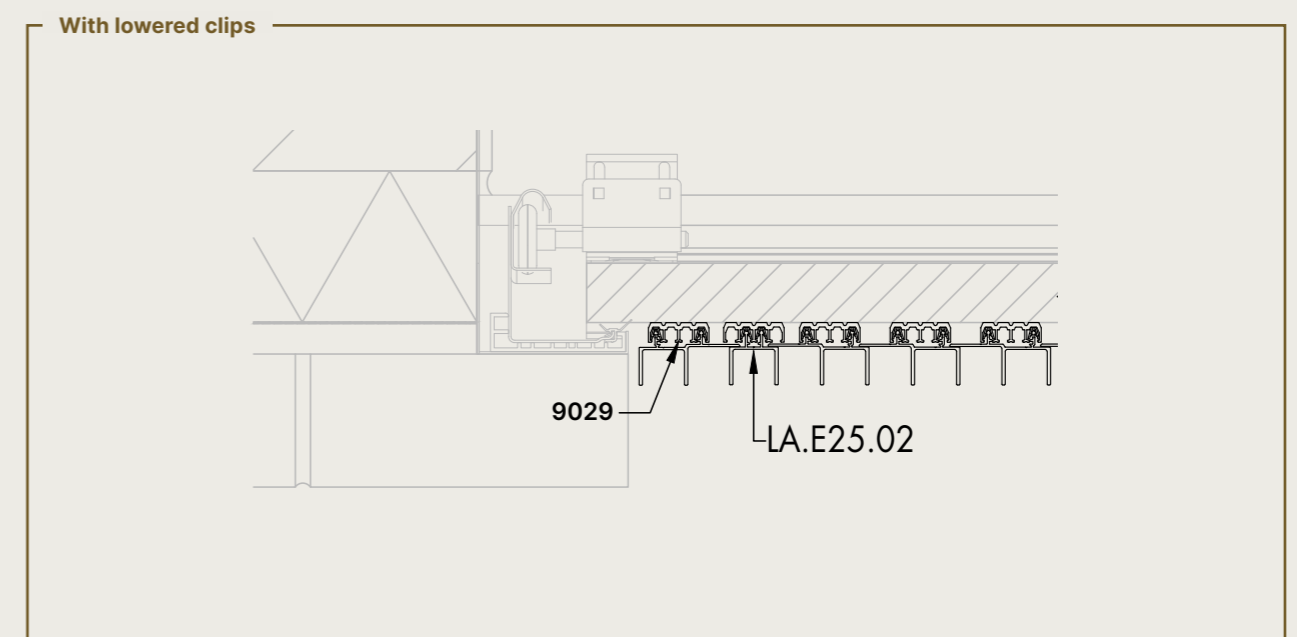
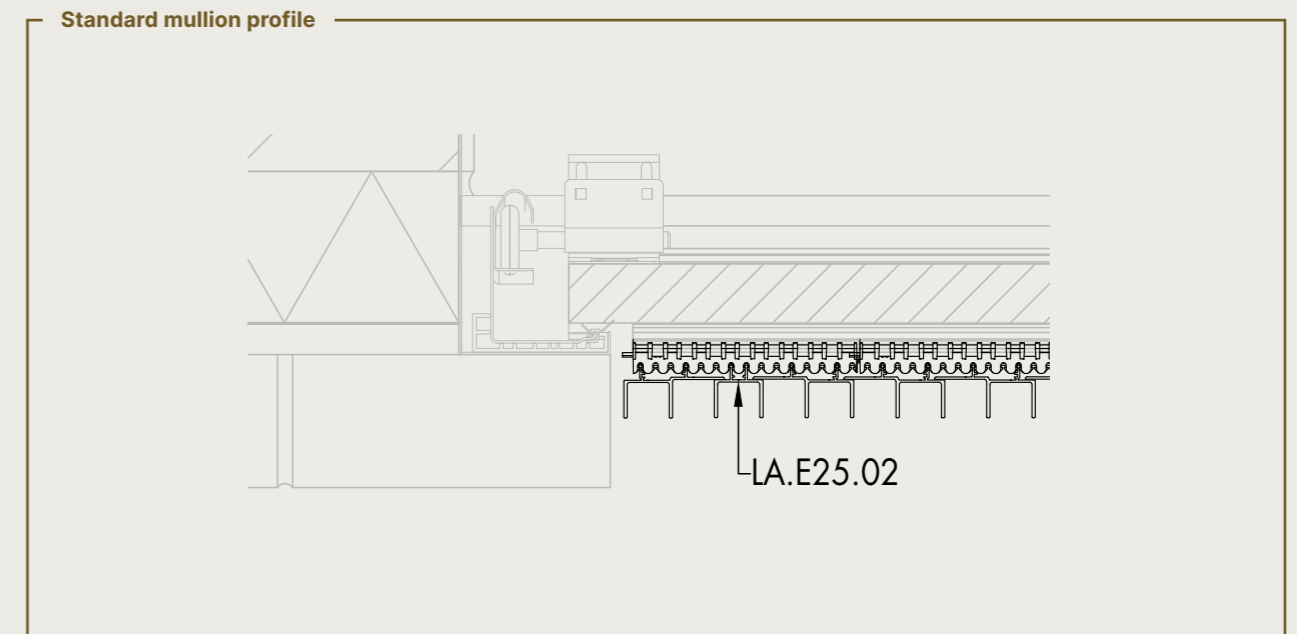
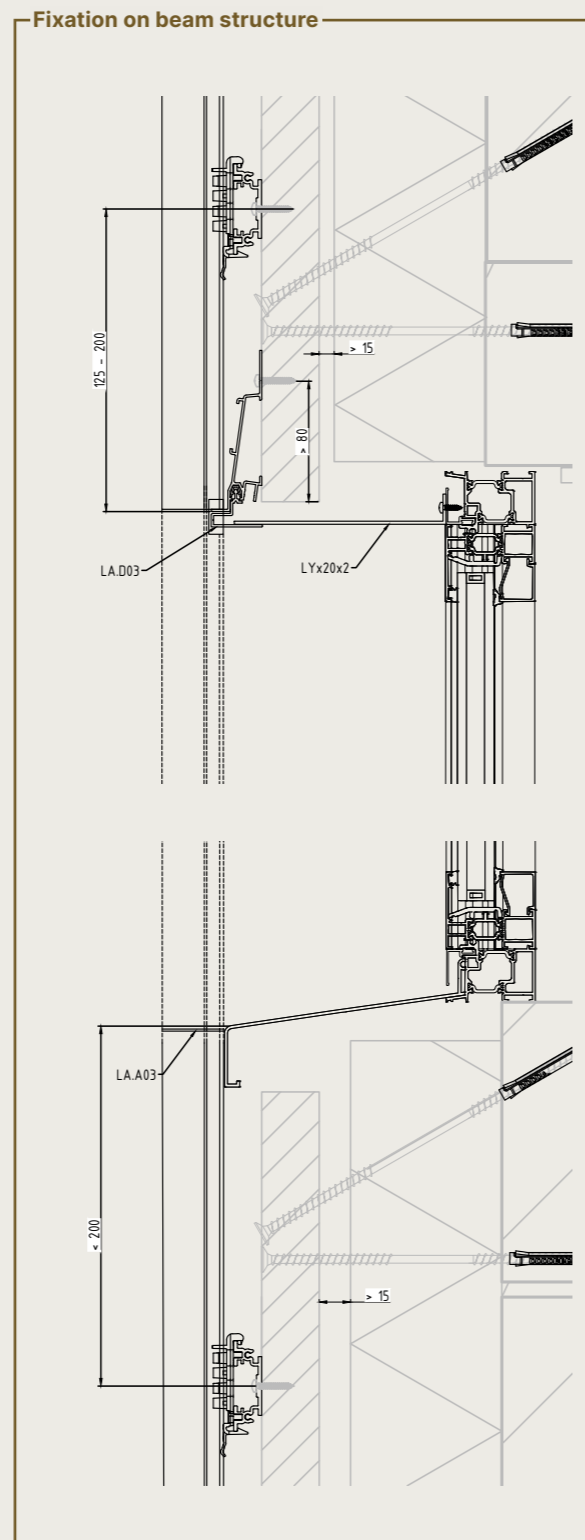
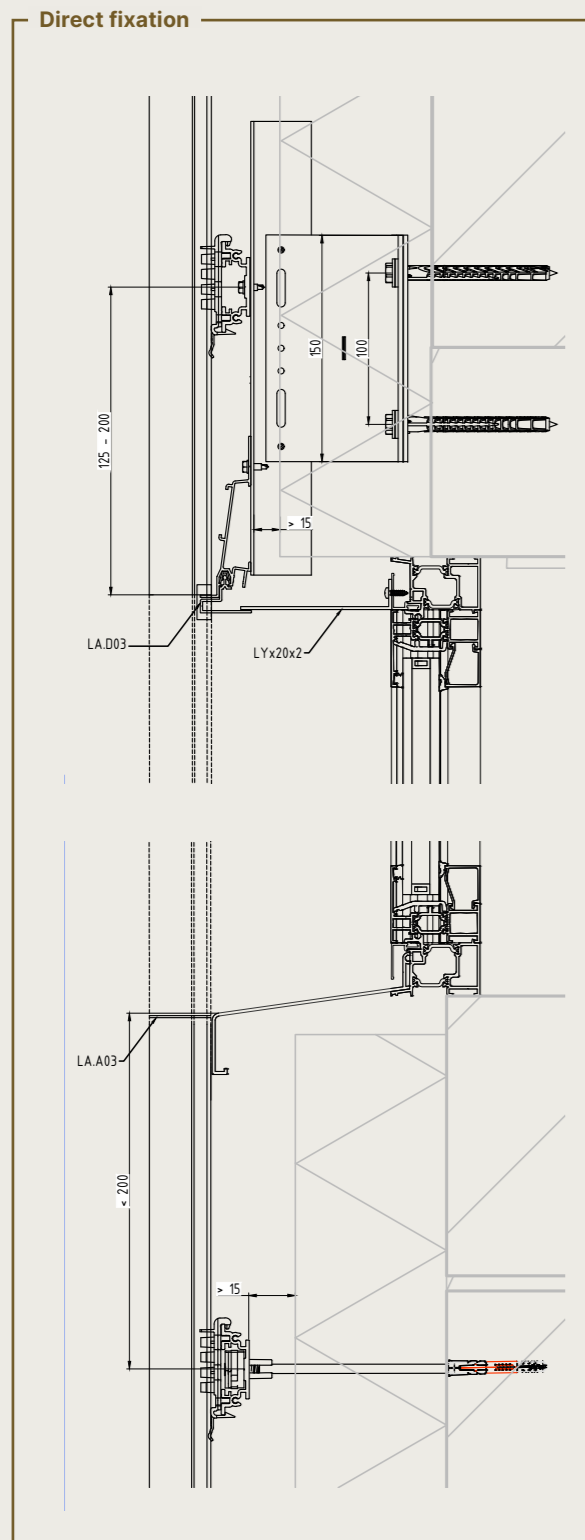


See legend on page 103

See legend on page 103

8E. Window trim semi-open cladding

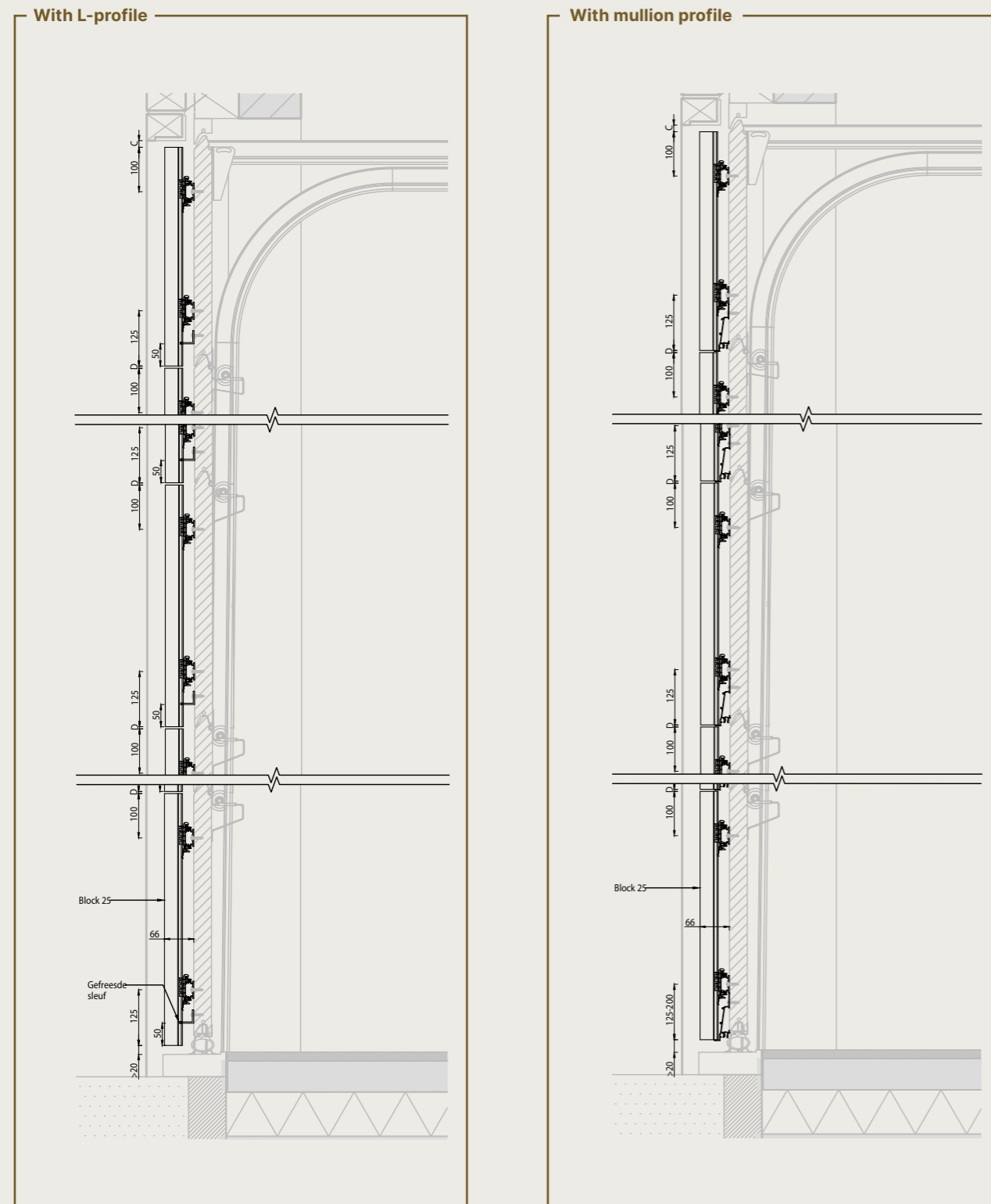
9A. Sectional garage door between wall



See legend on page 103

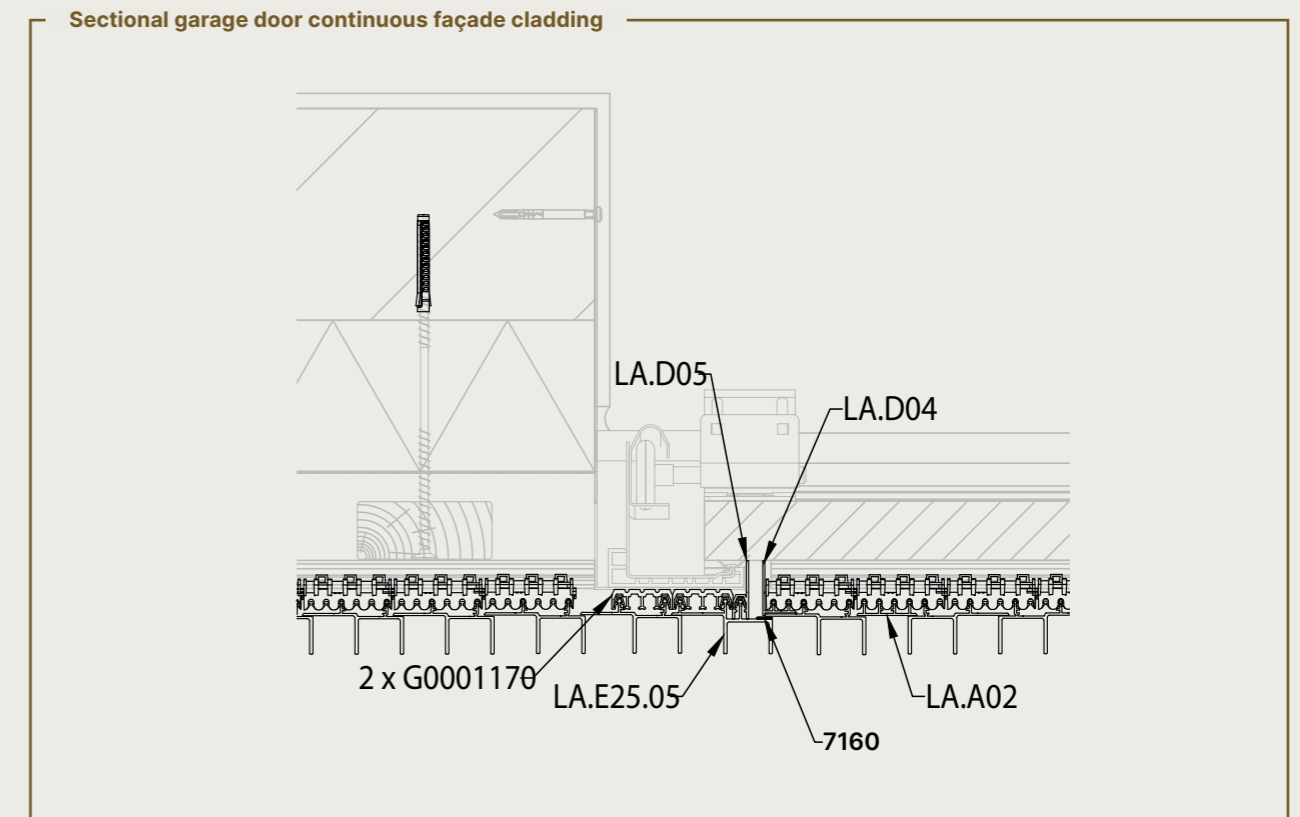
See legend on page 103

9B. Sectional garage door between wall



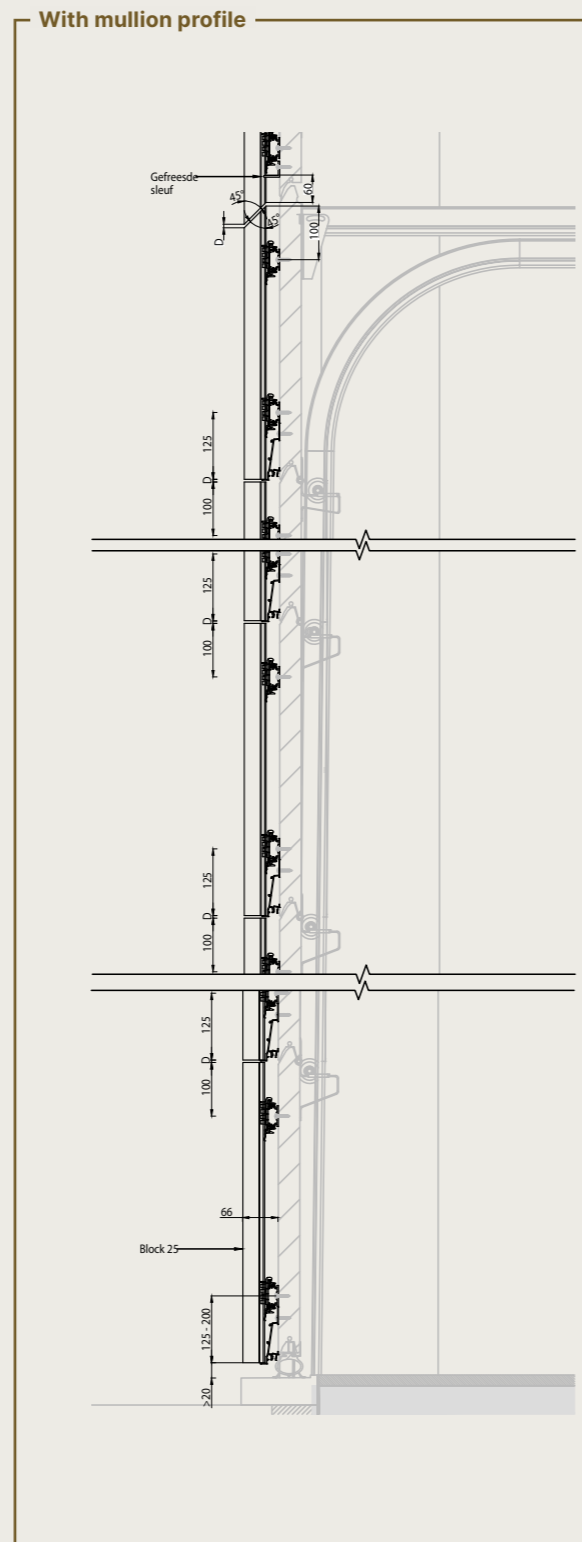
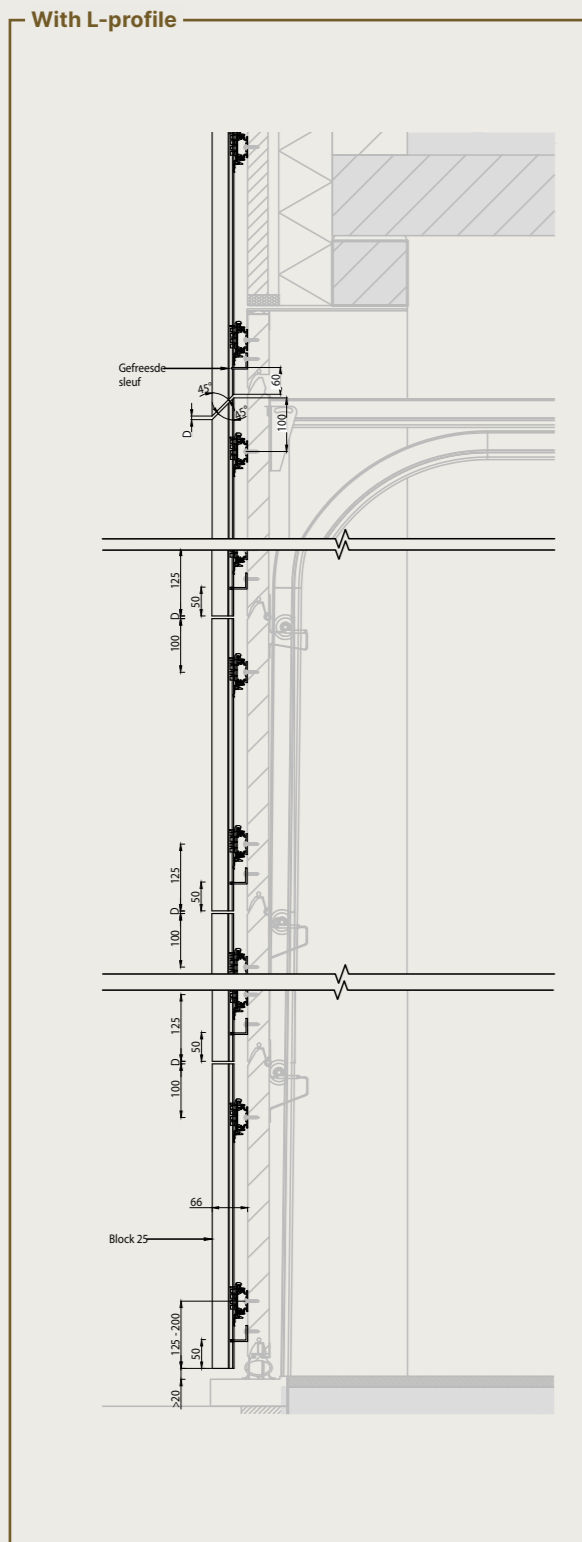
See legend on page 103

10A. Sectional garage door continuous façade cladding



See legend on page 103

10B. Sectional garage door continuous



See legend on page 103





GENERAL

Warranty	99
Maintenance	100
FAQ	101
Glossary	103

WARRANTY

All of the materials we use are of high quality and perfectly suited for the intended purpose.

As a manufacturer, we guarantee:

- 10-year* guarantee on all defects arising from normal use and maintenance.
- 10-year guarantee on the gloss of the coated aluminium profiles
- 2-year guarantee on the motorisation electronic control.

10
YEARS
WARRANTY

The warranty covers the delivery of replacement parts, installation on site by an installer (possibly assisted by a technical employee from RENSON® Sun protection-Screens) or a complete revision of the system by the manufacturer at our location. Installation costs (travel + hourly rate) are not covered by this guarantee.

The guarantee period starts on the date of production and applies only to the product itself, and not to its installation. The guarantee is only valid if the product is used and maintained in accordance with the directions in the user manual. The guarantee is considered void if the product is used incorrectly or in an abnormal way. When reporting a problem, please tell the installer the serial number.

*See also the guarantee certificate.

MAINTENANCE

Façade cladding is exposed to wind and weather, day in and day out. If you want to continue enjoying your Renson® façade cladding, we recommend regular maintenance, i.e. 1-2 times per year. Regular maintenance will extend the lifespan of your façade cladding.

Maintenance is easy with the Renson® Maintenance Set

Please note the following in relation to this maintenance:

- The structure is made using powder coated aluminium. Yearly cleaning with products from the **Renson Maintenance Set** will ensure the intense colour is maintained for years, as well as provide extra protection from acid rain, sea air, and UV rays. For coastal and wooded areas, we recommend that you perform maintenance on your products at least twice a year.
- **Renson "Clean"** is a concentrated product with strong cleaning and degreasing properties to deal with the most frequent kinds of natural dirt such as dust, oily precipitation, grease stains, moss, insect remains, etc.
- This product cannot be compared to other cleaning products on the market. It penetrates deeply and 'lifts out' the dirt. This product can also be used to clean the polyester fabric roofs and vertical fibreglass fabric screens.
- After cleaning, protect the aluminium structure using **Renson "Protect"**.
- This applies a protective film to allow the surface to be cleaned by simply wiping it down using a minimum amount of Renson "Clean". It also protects the aluminium from acid rain, sea air and UV rays, while ensuring the colour remains just as intense.
- Do not use either of these products in direct sunlight or in hot weather. The product's quick-drying action can leave stains on the structure or the fabric screen. Never use corrosive or aggressive products, scouring pads or other scouring products. Do not pressure wash your products under any circumstances.



Renson® Maintenance Set

FAQ

Can a Linius wall also be placed vertically?

Yes, but keep in mind that the view from left to right is different than that from right to left. Choose the closed blade. For vertical lines we recommend using the Linarte system.

Can a Linarte wall also be placed horizontally?

No. The load on the clips cannot be placed in the other direction.

Are different LED colours possible?

Both direct and indirect LED lighting are only available in warm white light.

How long does the installation of the façade cladding take?

Naturally, this depends on the circumstances of where the façade cladding is to be placed, border finishes, corners and the number of inserts. For a wall with profiles (excl. options), it will take 1 man approximately 4 m² per hour working on easily accessible walls with the direct fixation system including insulation and vapour barrier.

How fire safe is aluminium façade cladding?

-Fire safety Linius

Aluminium, whether or not enamelled, is in the list of non-flammable products and therefore has the best possible classification A1.

-Fire safety Linarte

Linarte is fire-resistance class B-s1, d0 certified, in accordance with NEN-EN 13501-1, provided that each profile is secured to the mullion using fire clips.

To clarify:

Smoke production

A distinction is made between three classes for smoke development:

- s1: Low smoke production;
- s2: Average smoke production;
- s3: High smoke production.

Burning droplets and parts

Burning droplets and parts are a direct danger to people (e.g. rescue workers) and can ignite new fires in other places. A distinction is made between three classes here as well:

- d0: No production of burning parts;
- d1: Parts burn for less than 10 seconds;
- d2: Parts burn for more than 10 seconds.

National laws and/or standards often apply specifically with regard to fire safety.

For example. Belgian regulations

Based on class, a determination can be made regarding to what height the cladding can be applied.

- Belgium: The Royal Decree dated 04/04/2003: basic standards for the prevention of fire and explosion – NOT applicable to single-family homes and low buildings with a surface area of less than or equal to 100 m² and with a maximum of 2 floors.
- The imposed requirements for façade materials differ depending on building height and building use. Extract from TVN 243 of the Belgian Building Research Institute (BBRI): According to the revision of this Annex 5 [8] (available on the website of the Standards Antenna "Fire Prevention" of the BBRI: www.norms.be/fire), which should soon be published in the Belgian Official Gazette, façade cladding must at least exhibit the following fire reaction class:
 - for low buildings (with a height of less than 10 m): D-s3, d1
 - for medium-rise and high-rise buildings (with a height of more than 10 and 25 m respectively): B-s3, d1."

Up to what temperatures can you apply façade cladding?

Our façade cladding has been tested at temperatures from -20 °C to 80 °C (climate chamber limitation).



GLOSSARY

Anodisation

Anodising is one of the most widely used surface-treatments for aluminium. Anodising is an electrolytic process in which the natural tendency of aluminium to form an oxide film on its surface is reinforced by an electrolytic process. In this process, the work piece is switched as an anode. The resulting coating has protective, decorative, and functionally better properties.

Monocolour

With monocolour, all visible aluminium profiles are coated in the same colour.

Powder coating


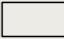








Powder coating (or anodising) is an electrostatic dyeing process in which a negatively charged powder is sprayed with compressed air onto a positively charged work piece. As a result, the powder remains attached for a long time, after which it is melted or anodised in an oven. Powder coating is an environmentally friendly process because no solvents are released during the coating process and no chemical additives are needed to bond the powder to the aluminium profiles.

Pre-anodisation

Pre-anodising is a pretreatment that protects aluminium profiles against aggressive environments such as coastal areas, heavy industries, etc. It is a thin, unsealed anodising layer, which is applied separately in an anodising line for the powder coating, thus avoiding filiform corrosion. After pre-anodising, the profiles should be treated very carefully and processed quickly at the powder coating line. However, the profiles cannot be coated immediately and without further treatment. This means that the quality of pre-anodising cannot be guaranteed. That is why we do not offer this pre-treatment. However, Seaside Quality A, which is applied as standard, already offers excellent protection against aggressive environments.

Seaside Quality A

Seaside Quality A is a method of pre-treatment on the powder coating line in which at least 2 g/m² is stained before powder coating. This additional pre-treatment protects aluminium profiles against aggressive environments such as coastal areas, heavy industries, etc. Renson façade cladding undergoes a Seaside Quality A pre-treatment as standard.

	Masonry/ quick build
	Façade masonry outside
	Wood
	
	Unarmed concrete
	Thermal insulation (D)
	Fill insulation
	Aerated concrete/cell glass
	Plywood/Fiberboard
	Plaster/Plasterboard plate



AMBASSADORSHIP

You are convinced about our products and enthusiastically share this with the world. In turn, we are proud that you are the connecting factor between Renson and your customers. Just for you, we created the Renson Ambassadorship: a long-term partnership. This quality label guarantees your customers that you are a reliable expert in ventilation with excellent product knowledge and perfect service, from installation to the first service visit.

What does your Ambassadorship stand for?

- You share your passion for Renson with a strong professional network.
- Every two years, you will be invited to our Ambassador Days where you can network with your colleagues to your heart's content.
- You are among the first to gain access to innovative and market-specific products and solutions.
- You have access to exclusive promotions for end customers, supported by media campaigns (online/offline).
- Through our lead tool, you will get one-to-one leads per region, which we receive via our communications, trade shows and events.
- We put you in the spotlight regularly and support you through co-branding to develop the Renson brand in your region.
- We promote you to your end customers.
- You may wear the exclusive quality label of Renson Ambassador.

**WANT TO JOIN OUR RENSON AMBASSADOR FAMILY?
GET IN TOUCH WITH YOUR RENSON CONTACT.**



**SOUDAL QUICK-STEP PRO CYCLING TEAM
POWERED BY RENSON**





L0000467 2002263 0124 English

All photos shown are for illustration purposes only and are solely an indication of a usage situation. The actual product may vary due to adjustments to the product. Renson® reserves the right to make technical modifications to the products shown. The latest brochures can be downloaded from www.renson.net